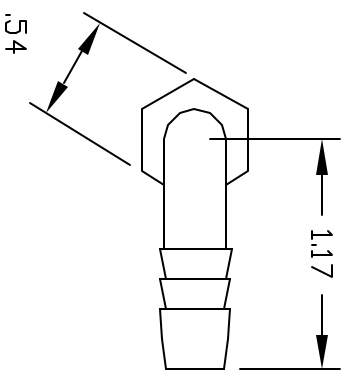
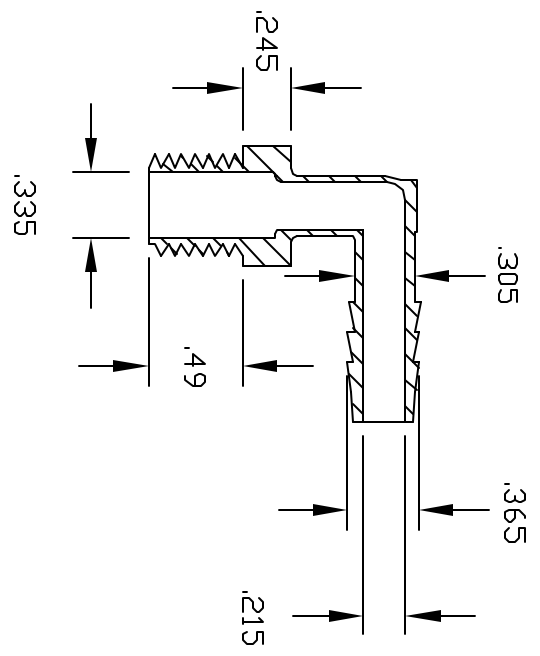
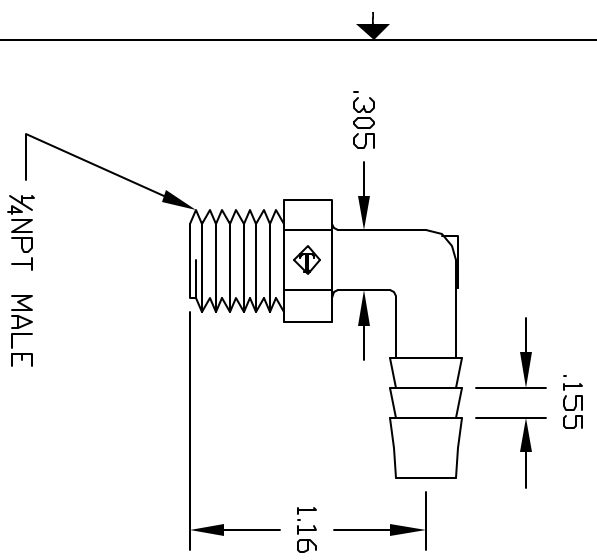


| REVISIONS |                                |          |          |
|-----------|--------------------------------|----------|----------|
| REV       | DESCRIPTION                    | DATE     | APPROVED |
| A         | REDRAWN & RELEASED             | 10/97    | 10/97    |
| B         | 1.15 WAS 1.12<br>.310 WAS .343 | 01/20/00 | BM       |
| C         | UPDATE BARB                    | 12/03    | 12/03    |



COLOR: BLACK (PPB)  
NATURAL (PPN)

CONTROLLED DOCUMENT  
ONLY IF IN RED

THIS PRINT AND THE SPECIFICATIONS ARE THE PROPERTY OF THOGUS PRODUCTS COMPANY AND HAVE BEEN ISSUED WITH THE UNDERSTANDING THAT THEY ARE TO BE USED FOR THE MANUFACTURE OF THE PARTS AND SHALL BE RETURNED UPON REQUEST.

|   |          |                          |  |
|---|----------|--------------------------|--|
| UNLESS OTHERWISE SPECIFIED DIMENSIONS ARE IN INCHES |          | Part Number              |  |
| TOLERANCES  |          | 1/4NPT X 5/16 BARB ELBOW |  |
| XX  | +/- .05  | THOGUS PRODUCTS          |  |
| XXX   | +/- .015 | 33490 PIN OAK PARKWAY    |  |
| DRAWN NM  |          | AVON LAKE OHIO 44012     |  |
| MATERIAL 2045PP                                     |          | Scale                    |  |
| POLYPROPYLENE                                       |          | TE2045/PP                |  |
| SCALE   |          | SHEET 1 of 1             |  |
| REV   |          | C                        |  |

THE INFORMATION CONTAINED HEREIN IS UNCLASSIFIED