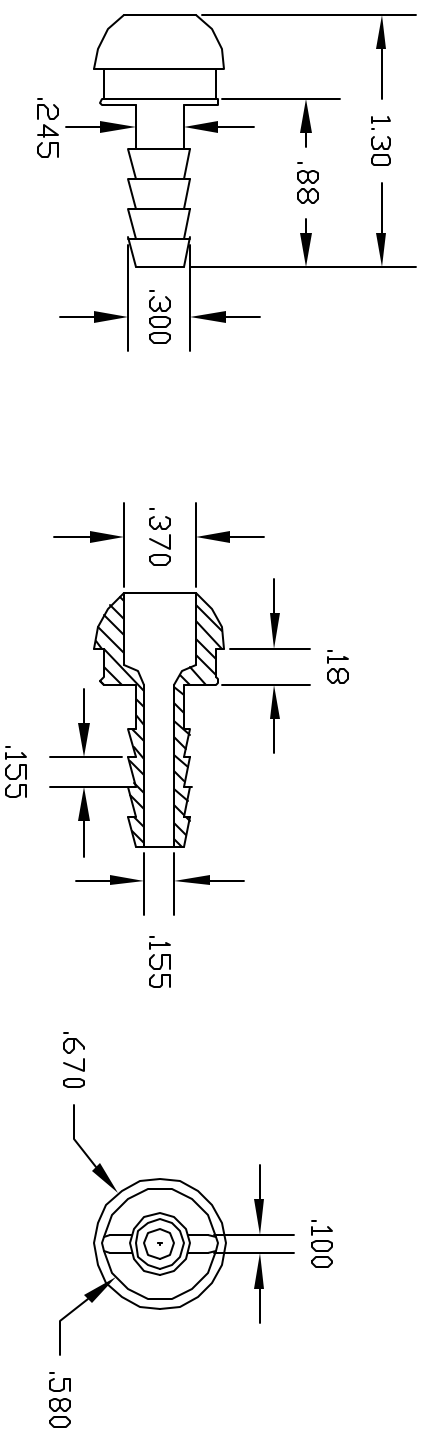


REV	DESCRIPTION	DATE	APPROVED
A	DRAWN AND RELEASE	1/98	
B	UPDATE DWG	9/07	9/07



TO MATE WITH THOGUS PART NUMBER
SN8/N, 1/2" NPT FEMALE NUT

CONTROLLED DOCUMENT
ONLY IF IN RED

UNLESS OTHERWISE SPECIFIED DIMENSIONS ARE IN INCHES		Part Name 1/4 BARB SWIVEL NUT ADAPTER INSERT	
DECIMALS .XX +/- .05	FRACTIONS XXX +/- .015	ANGULAR +/- .05	
DRAWN NM	DATE 1/98	THOGUS PRODUCTS 33490 PIN DAK PARKWAY AYDON LAKE OHIO 44012	
MATERIAL NYLON	Part Number SNA8-4/N	REV B	
SHEET 1 of 1			