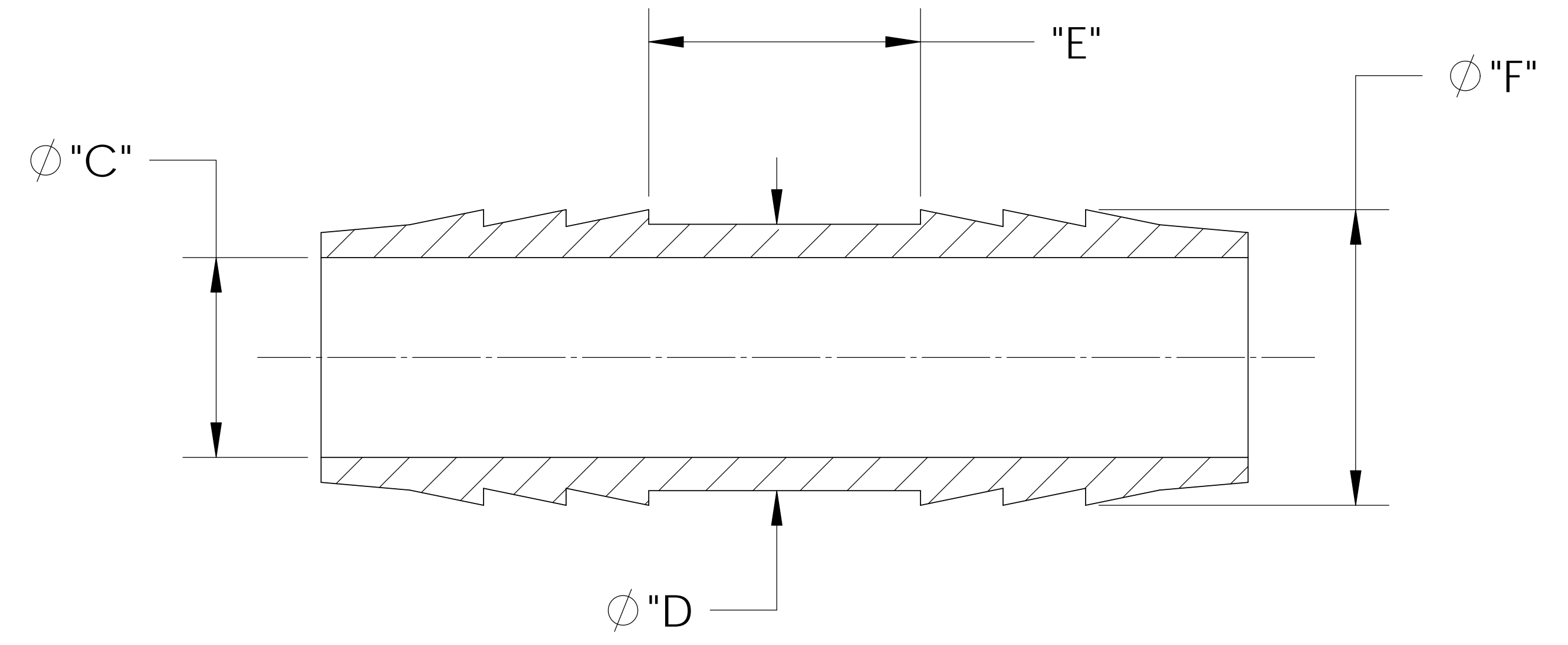
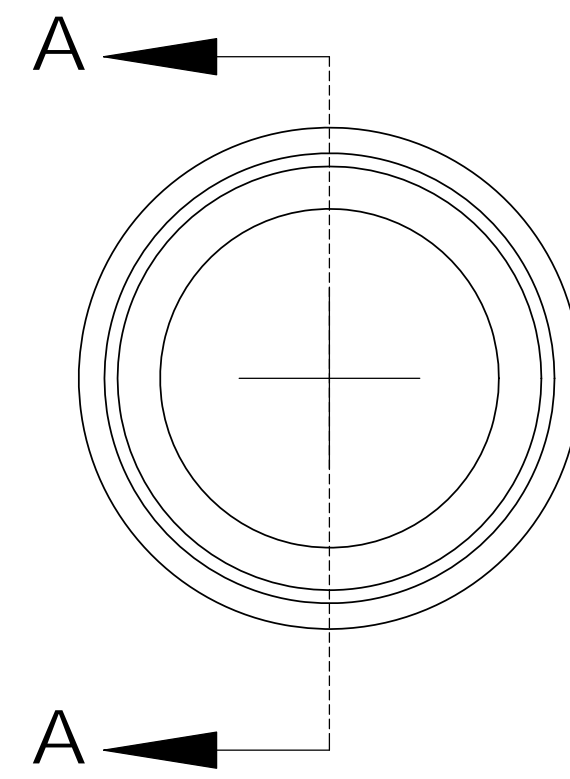
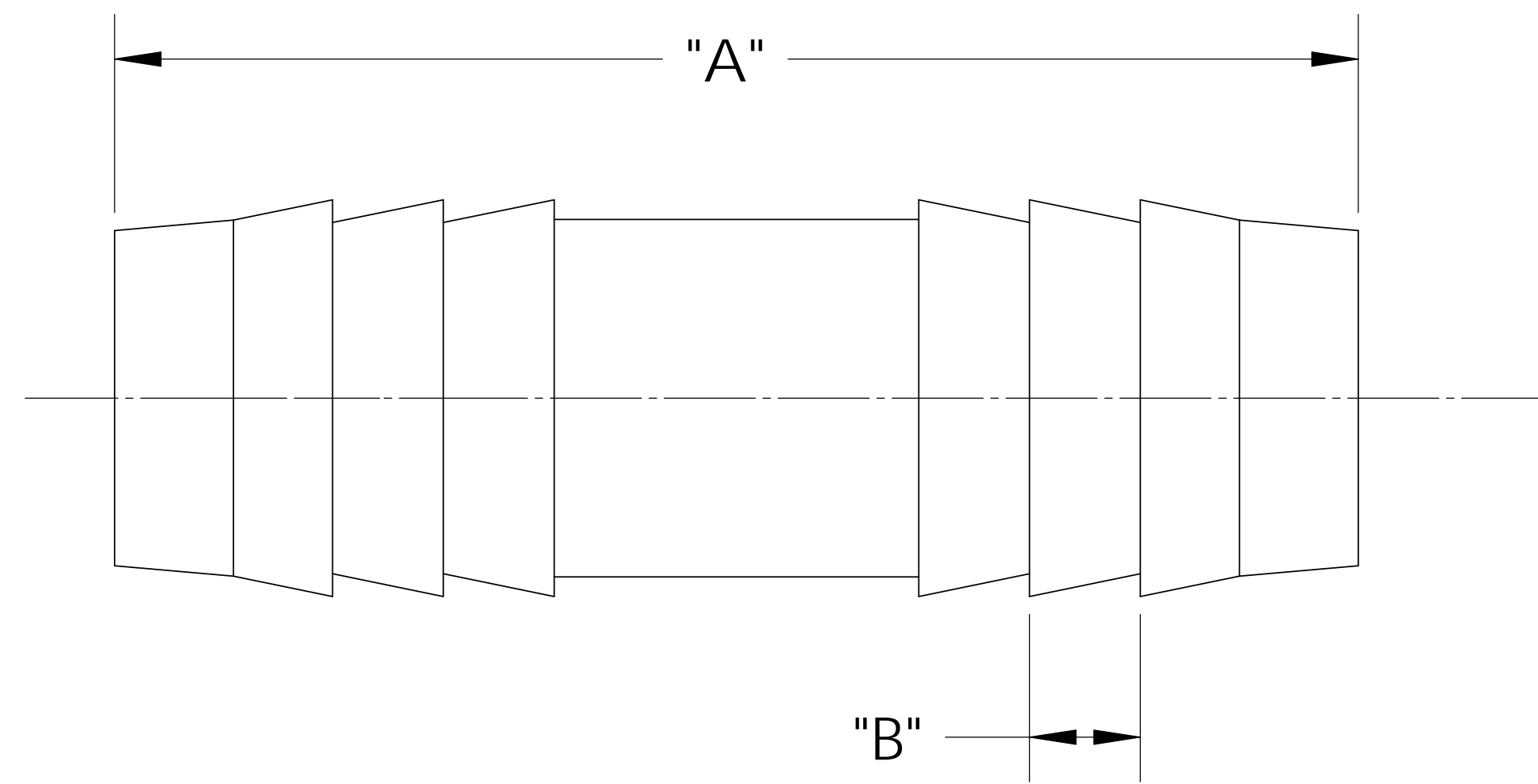
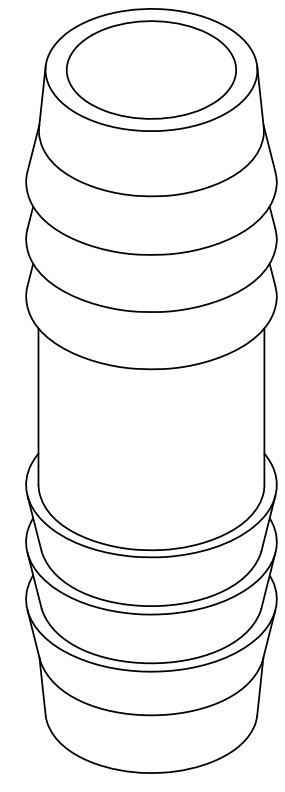


UNCONTROLLED IF PRINTED; CONTROLLED DOCUMENT LOCATED IN IQMS DOCUMENT CONTROL



SECTION A-A

CATALOG NO.	DESCRIPTION	MATERIAL	DIM "A"	DIM "B"	DIM "C"	DIM "D"	DIM "E"	DIM "F"
TC7088/PP	1/2 X 1/2 PP	POLYPROPYLENE	1.74	.155	.375	.495	.510	.555
TC7088/P	1/2 X 1/2 P	POLYETHYLENE	1.69	.150	.360	.485	.485	.540
TC7088/N	1/2 X 1/2 N	NYLON	1.74	.155	.375	.500	.510	.555
TC7088/K	1/2 X 1/2 K	KYNAR	1.74	.155	.375	.500	.510	.555

SHOWN

NOTES:

- 1) POLYPROPYLENE HAS COLOR OPTIONS:
 BLACK = TC7088/PPB
 NATURAL = TC7088/PPN

PROPRIETARY AND CONFIDENTIAL
 THE INFORMATION CONTAINED IN THIS DRAWING IS THE SOLE PROPERTY OF THOGUS PRODUCTS COMPANY. ANY REPRODUCTION IN PART OR AS A WHOLE WITHOUT THE WRITTEN PERMISSION OF THOGUS PRODUCTS COMPANY IS PROHIBITED.

E	95.00041	CONVERTED TO 3D FORMAT	UNLESS OTHERWISE SPECIFIED: DIMENSIONS ARE IN INCHES TOLERANCES: ANGULAR: ±0.5° X.X = ± 0.1 X.XX = ± 0.05 X.XXX = ± 0.015 REMOVE ALL SHARP EDGES AND BURRS BLEND ALL RADII TO 0.01IN INTERPRET GEOMETRIC TOLERANCING PER: ANSI Y 14.5 1994 MATERIAL: PP, P, N, K FINISH: NA THIRD ANGLE PROJECTION: 	NAME	DATE	 33490 PIN OAK, AVON LAKE, OH 44012 TITLE: BARB CONNECTOR, 1/2" X 1/2"	
				DRAWN	KDJ		10/12/10
				CHECKED	KDJ		10/12/10
				ENG APPR.			XX/XX/XX
				MFG APPR.	XX/XX/XX	SIZE B DWG. NO. TC7088 REV C	
				Q.A.	XX/XX/XX		
				COMMENTS:		SCALE: 2:1 MASS:	
REV	WRO#	DESCRIPTION		DO NOT SCALE DRAWING		SHEET 1 OF 1	
HISTORY							