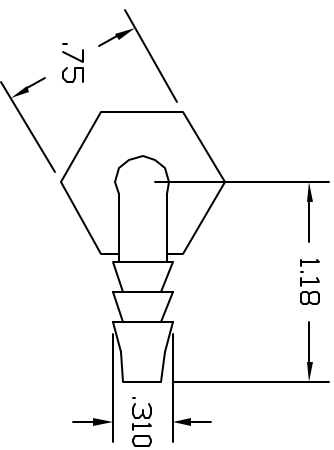
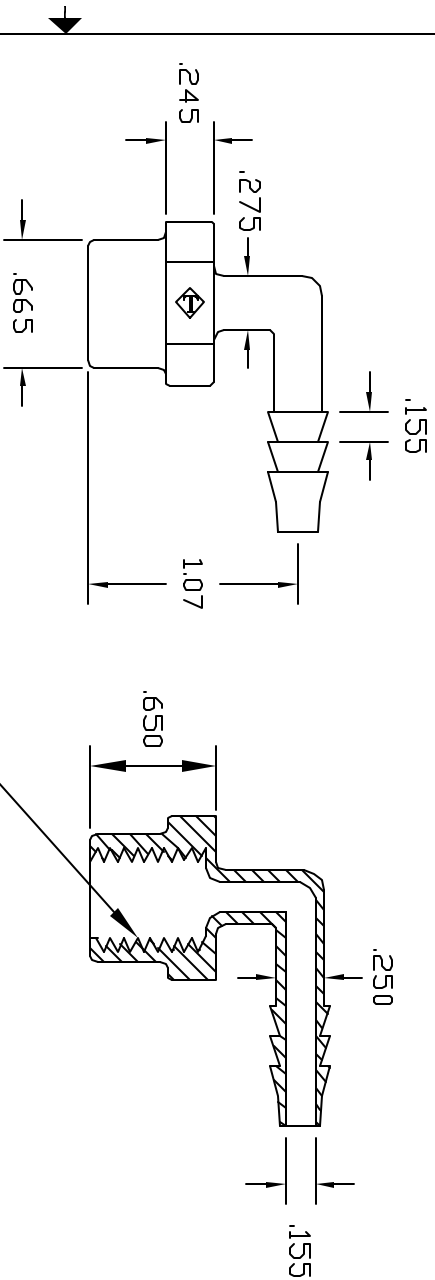


REVISIONS			
REV	DESCRIPTION	DATE	APPROVED
A	DRAWN	12/02	
B	ADD 3RD BARB CHANGE CENTERLINE	01/03	



CONTROLLED DOCUMENT
ONLY IF IN RED

CONFIDENTIAL
THIS PRINT AND THE SPECIFICATIONS ARE THE PROPERTY OF THOGUS PRODUCTS COMPANY AND HAVE BEEN ISSUED WITH THE UNDERSTANDING THAT ALL INFORMATION CONTAINED HEREIN IS UNCLASSIFIED AND THE RIGHTS OF THE MANUFACTURER FOR OTHERS AND WILL BE RETURNED UPON REQUEST.

UNLESS OTHERWISE SPECIFIED DIMENSIONS ARE IN INCHES TOLERANCES UNLESS SHOWN XX +/- .05 XXX +/- .015	Part Name 1/4 NPT FEMALE X 1/4 BARB FEMALE ELBOW
DRAWN BM	THOGUS PRODUCTS 33597 PIN DAK PARKWAY AVON LAKE OHIO 44012
FINISHED TEF2044PPB	Part Number TEF2044/PPB
MATERIAL POLYPROPYLENE	SCALE 1:1
	SHEET 1 of 1
	REV B

THOGUS PRODUCTS COMPANY
33597 PIN DAK PARKWAY
AVON LAKE, OHIO 44012
TEL: 440-933-3300 FAX: 440-933-3301
WWW.THOGUS.COM