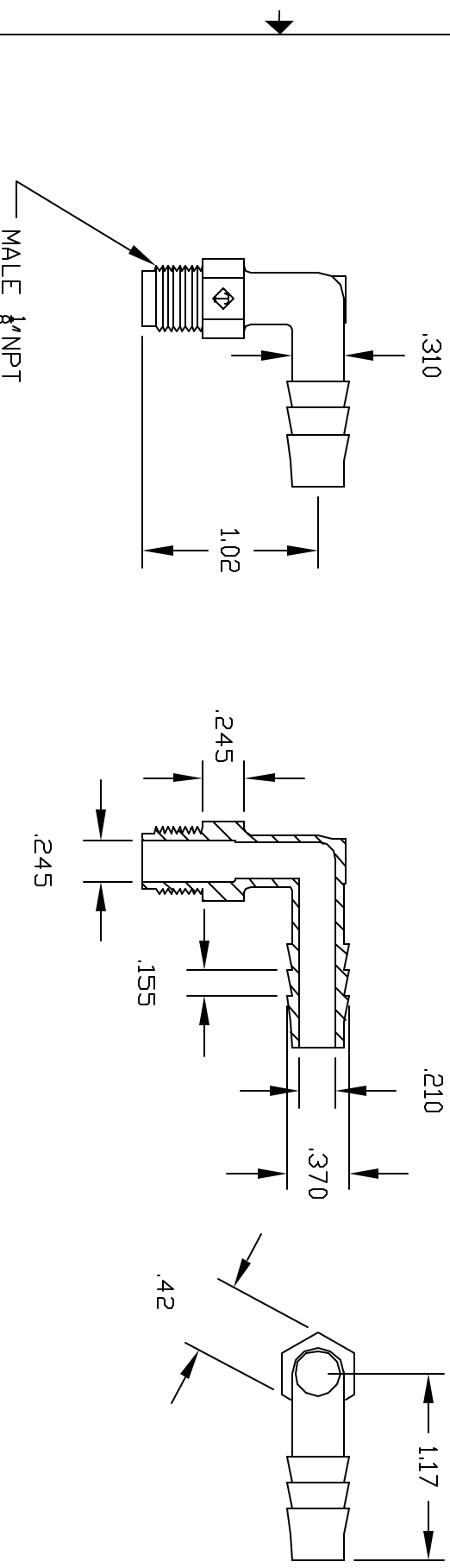


REVISIONS				
ZONE	REV	DESCRIPTION	DATE	APPROVED
	A	REDRAWN & RELEASED	11/97	11/97
	B	UPDATE DWG. WITH NEW THREAD TOOLING	5/8/00	BM
	C	MODIFY BARB	9/03	



UNLESS OTHERWISE SPECIFIED
DIMENSIONS ARE IN INCHES
DECIMAL TOLERANCES
XX +/- .05 17-05
XXX +/- .015 17-05

DRAWN NM DATE 11/97
DESIGNED 2025P
MATERIAL POLYETHYLENE

PART NAME 1/8 NPT X 5/16 BARBED ELBOW
THOGUS PRODUCTS
33490 PIN DAK PARKWAY
AVON LAKE OHIO 44012

SCALE 1:1 SHEET 1 of 1

THIS PRINT AND THE SPECIFICATIONS ARE THE PROPERTY OF THOGUS PRODUCTS COMPANY AND HAVE BEEN ISSUED WITH THE UNDERSTANDING THAT ALL RIGHTS ARE RESERVED. THE MANUFACTURE FOR OTHERS AND WILL BE RETURNED UPON REQUEST.

CONTROLLED DOCUMENT
ONLY IF IN RED