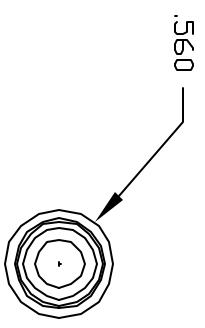
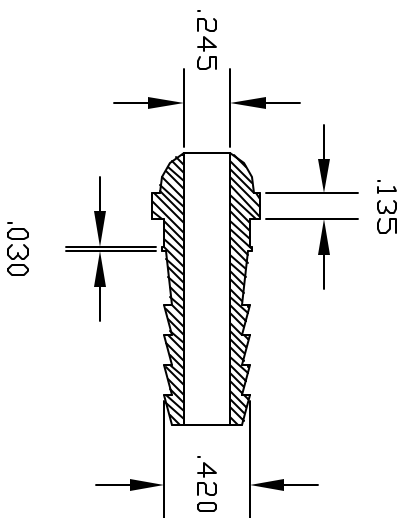
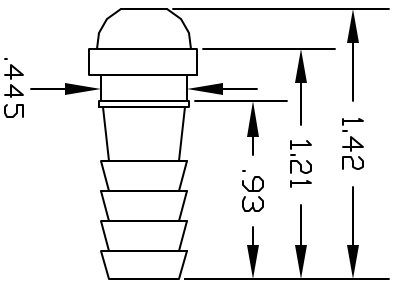


REVISIONS			
REV	DESCRIPTION	DATE	APPROVED
A	DRAWN AND RELEASED	1/98	
B	UPDATE DWG	9/07	9/07



TO MATE WITH THOGUS PART NUMBER  
SN6/N, 3/8" NPT FEMALE NUT

CONTROLLED DOCUMENT  
ONLY IF IN RED

UNLESS OTHERWISE SPECIFIED DIMENSIONS ARE IN INCHES TOLERANCES DECIMALS ANGULARS .XX +/- .05 .XXX +/- .015 +/- .05		Part Name 3/8 BARB SWIVEL NUT ADAPTER INSERT
DRAWN NIM	DATE 1/98	THOGUS PRODUCTS 33490 PIN DAK PARKWAY AVON LAKE OHIO 44012
FINISH SMAGN	MATERIAL NYLON	
Part Number SN6/N	SHEET 1 of 1	REV B