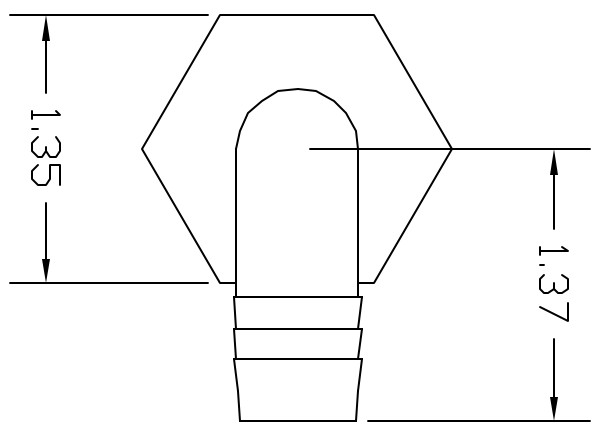
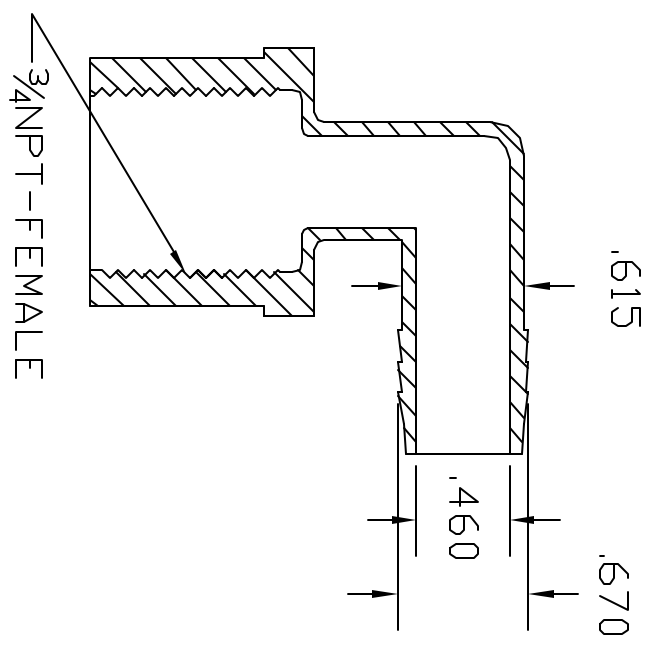
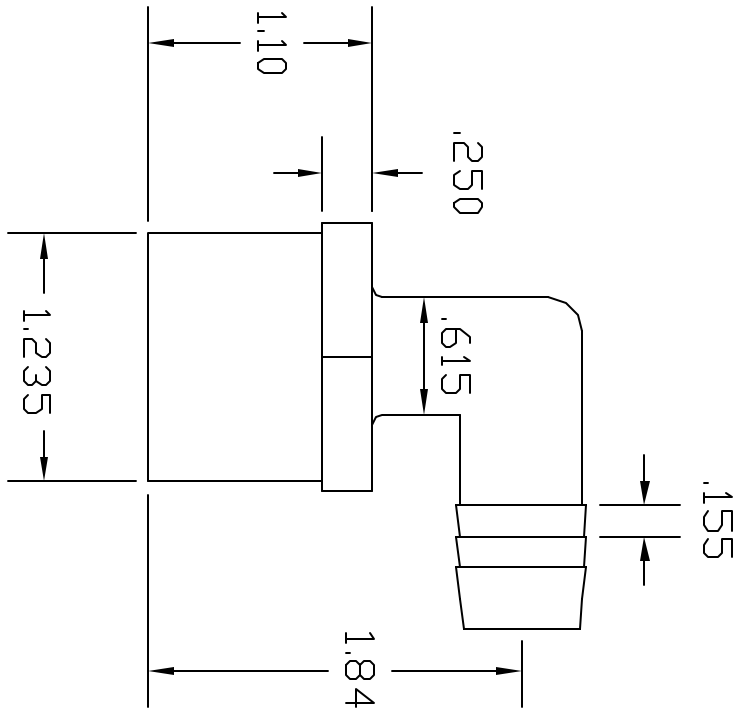


REV	DESCRIPTION	DATE	APPROVED
A	DRAWN	1/30/06	1/30/06



CONTROLLED DOCUMENT
ONLY IF IN RED

CONFIDENTIAL

THIS PRINT AND THE SPECIFICATIONS ARE THE PROPERTY OF THOGUS PRODUCTS COMPANY AND HAVE BEEN ISSUED WITH THE UNDERSTANDING THAT IT WILL NOT BE REPRODUCED, REVEALED TO OR USED FOR THE MANUFACTURE FOR OTHERS AND WILL BE RETURNED UPON REQUEST.

UNLESS OTHERWISE SPECIFIED
DIMENSIONS ARE IN INCHES
TOLERANCES
DECIMALS
.XX +/- .05
ANGULAR
XXX +/- .015

DRAWN **BM** | DATE 1/06

Material: TEF201210PPB

MATERIAL POLYPROPYLENE BLK

PART NAME:

3/4-14 FEMALE NPT X 5/8 HOSE BARB ELBOW

THOGUS PRODUCTS

33597 PIN OAK PARKWAY
AVDN LAKE OHIO 44012

PART NUMBER TEF201210/PPB

SCALE 1:1 | SHEET 1 OF 1

REV **A**