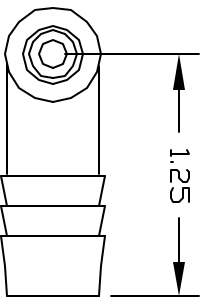
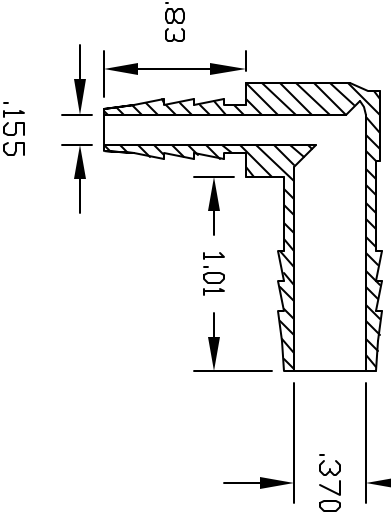
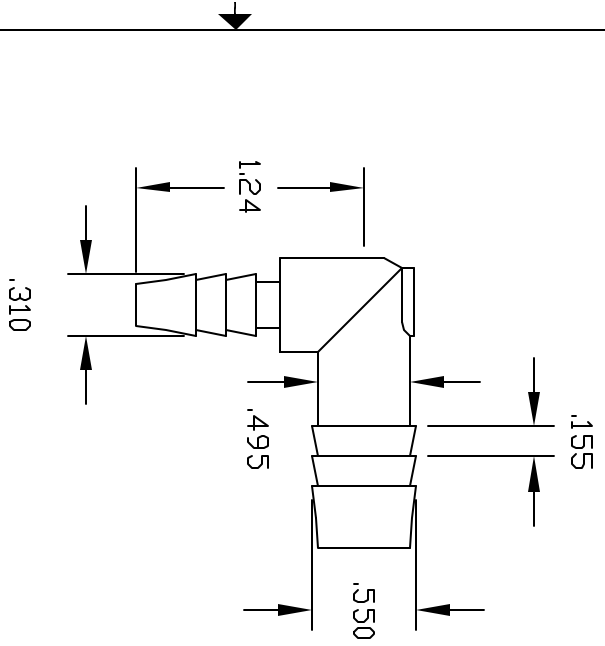


REVISIONS			
REV	DESCRIPTION	DATE	APPROVED
A	REDRAWN & RELEASED	1/98	1/98
B	MODIFIED 1/2" BARB	5/3/00	BM



COLOR: BLACK (PPB)

NATURAL (PPN)

CONTROLLED DOCUMENT
ONLY IF IN RED

CONFIDENTIAL
THIS PRINT AND THE SPECIFICATIONS ARE THE PROPERTY OF THOGUS PRODUCTS COMPANY AND HAVE BEEN ISSUED WITH THE UNDERSTANDING THAT IT IS TO BE KEPT FOR THE USE OF THE MANUFACTURER FOR OTHERS AND WILL BE RETURNED UPON REQUEST.

UNLESS OTHERWISE SPECIFIED DIMENSIONS ARE IN INCHES		TOLERANCES	
XX	+/- .05	XX	+/- .05
XXX	+/- .015		
DRAWN	BM	DATE	5/7/00
PREPARED	2084-T/PP		
MATERIAL	POLYPROPYLENE	Part Name	1/2 BARB X 1/4 BARB ELBOW
		Part Number	TE2084-T/PP
		Scale	1:1
		Sheet	1 of 1
		Rev	B

THOGUS PRODUCTS
33490 PIN DAK PARKWAY
AVON LAKE OHIO 44012