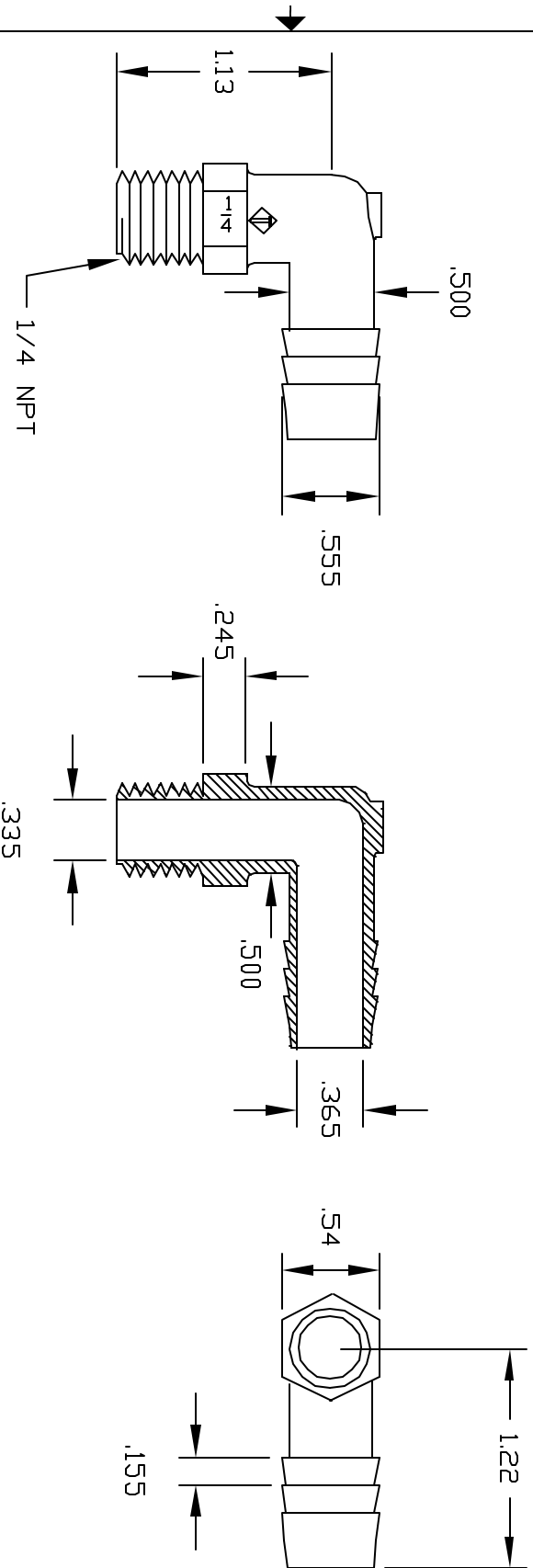


REVISIONS

REV	DESCRIPTION	DATE	APPROVED
A	REDRAWN & RELEASED	2/98	2/98
B	LEAD BAR	7/99	7/99
C	.545 to .550 .550 to .554 1.11 to 1.26	7/99	7/99



CONTROLLED DOCUMENT
ONLY IF IN RED

CONFIDENTIAL
THIS PRINT AND THE SPECIFICATIONS ARE THE PROPERTY OF THOGUS PRODUCTS COMPANY AND HAVE BEEN ISSUED WITH THE UNDERSTANDING THAT THE USER WILL NOT REPRODUCE OR MANUFACTURE FOR OTHERS AND WILL BE RETURNED UPON REQUEST.

UNLESS OTHERWISE SPECIFIED DIMENSIONS ARE IN INCHES	
DRAWN	MS
CHECKED	MS
DATE	2/98
MATERIAL	POLYETHYLENE

Part Name	1/4 NPT X 1/2 BARB ELBOW		
Part Number	TE2048/P		
THOGUS PRODUCTS	33490 PIN DAK PARKWAY	AVON LAKE OHIO 44012	
SCALE	1:1	SHEET	1 of 1

REVISIONS BY: [Signature]