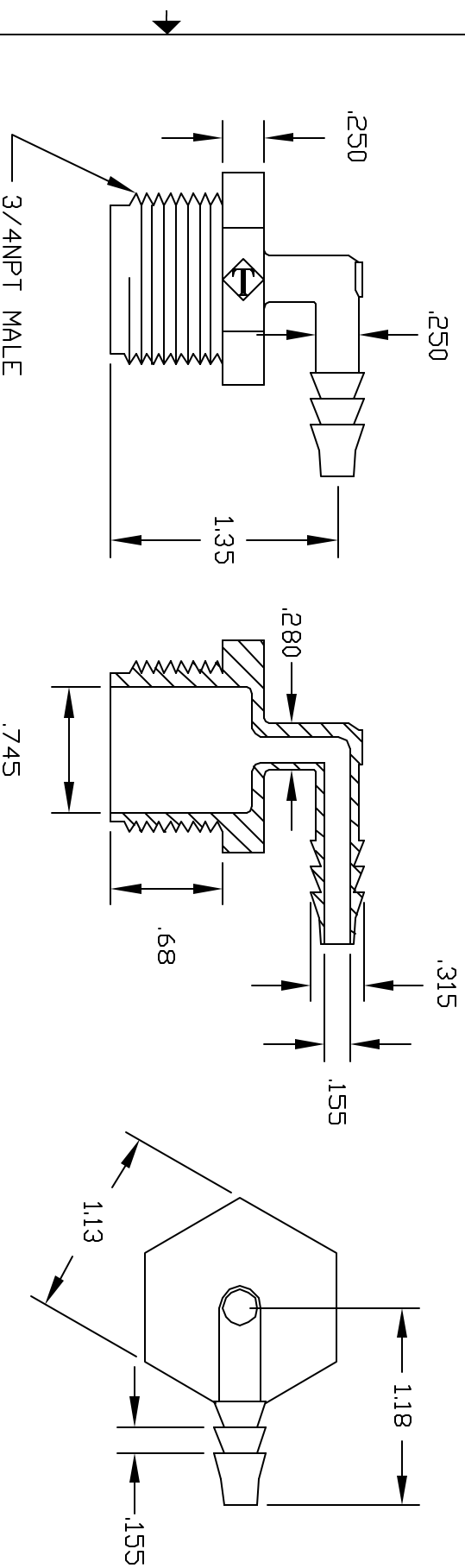


REVISIONS			
REV	DESCRIPTION	DATE	APPROVED
A	DRAWN & RELEASED	5/98	5/98
B	UPDATE DWG	10/07	10/07



CONTROLLED DOCUMENT  
ONLY IF IN RED

**CONFIDENTIAL**  
THIS PRINT AND THE SPECIFICATIONS ARE THE PROPERTY OF THOGUS PRODUCTS COMPANY AND HAVE BEEN ISSUED WITH THE UNDERSTANDING THAT IT IS TO BE KEPT FOR THE MANUFACTURE FOR OTHERS AND WILL BE RETURNED UPON REQUEST.

UNLESS OTHERWISE SPECIFIED DIMENSIONS ARE IN INCHES		DRAWN		DATE	
TOLERANCES		NM		5/98	
XX +/- .05		CHECKED		MATERIAL	
YY +/- .05		NYLON		Part Number	
ZZ +/- .015		TE20124/N		3/4 NPT MALE X 1/4 BARBED ELBOW	
THOGUS PRODUCTS		33490 PIN DAK PARKWAY		AYDON LAKE OHIO 44012	
SHEET 1 of 1		REV B			

THOGUS PRODUCTS COMPANY  
10000 W. 15th Street, Avon, OH 44012  
Tel: 419-285-2000 Fax: 419-285-2001