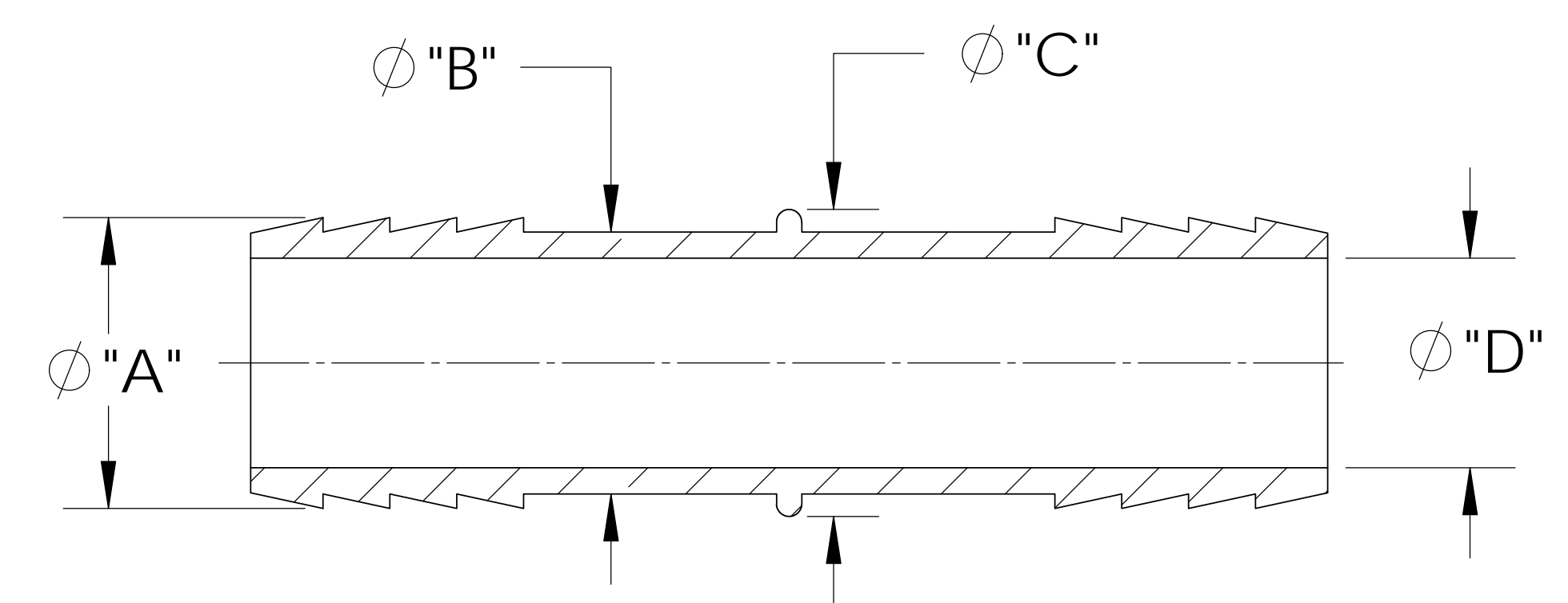
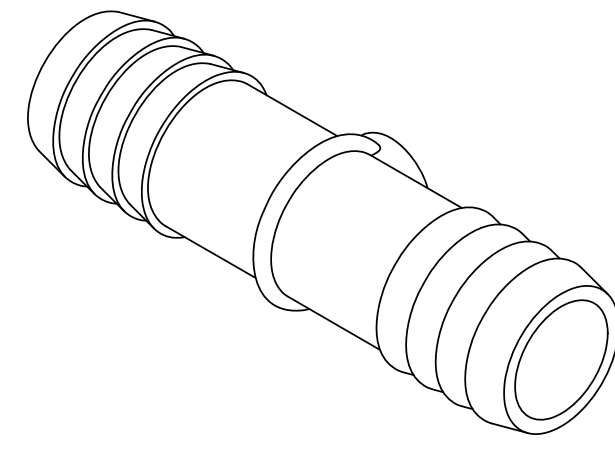
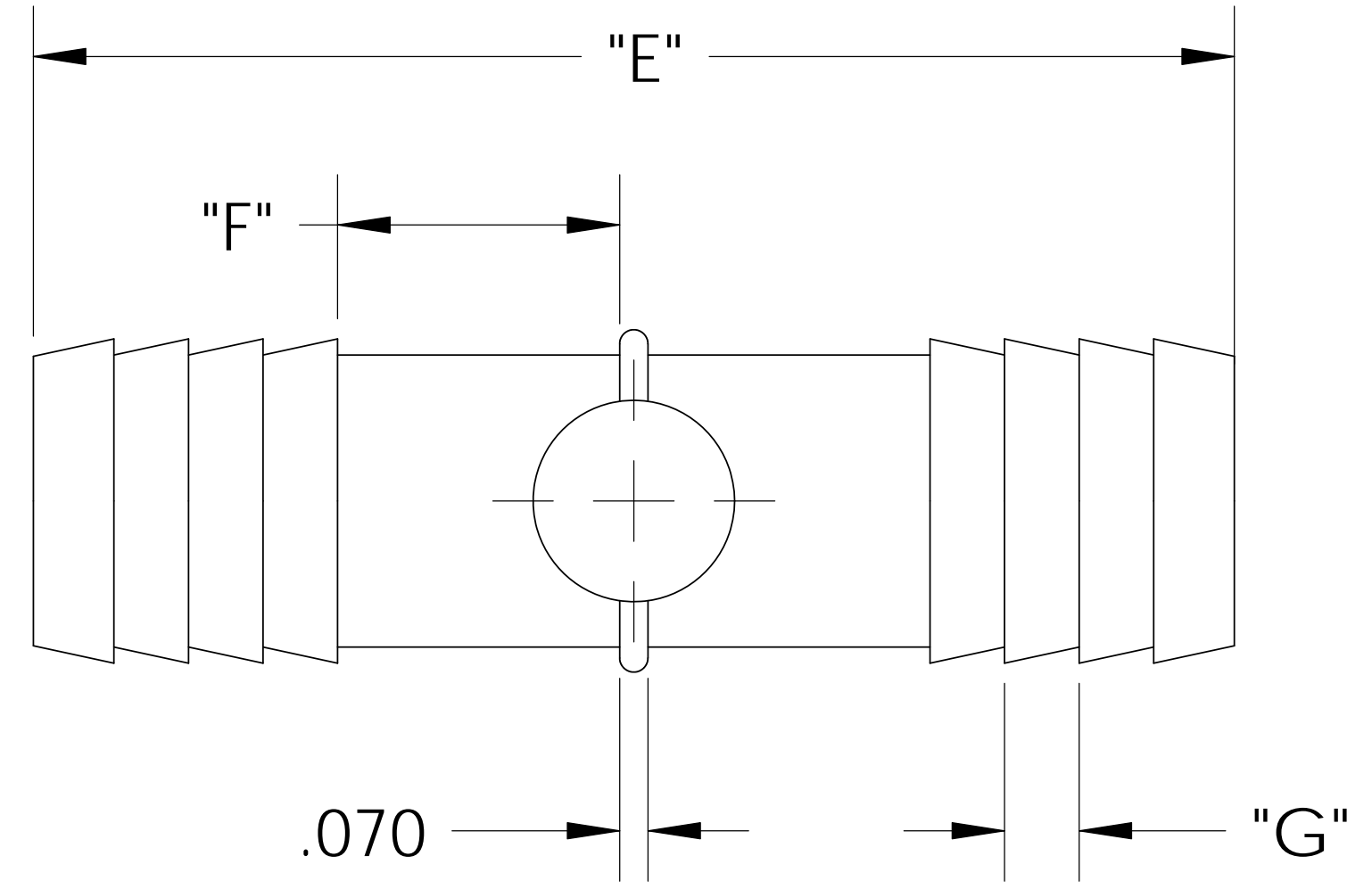
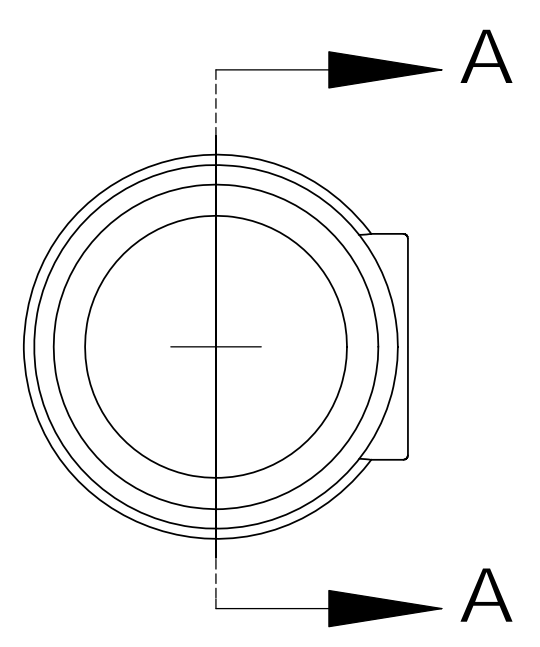


8 7 6 5 4 3 2 1



SECTION A-A



D  
C  
B  
A

D  
C  
B  
A

SHOWN

| CATALOG NO. | DESCRIPTION  | MATERIAL      | DIM "A" | DIM "B" | DIM "C" | DIM "D" | DIM "E" | DIM "F" | DIM "G" |
|-------------|--------------|---------------|---------|---------|---------|---------|---------|---------|---------|
| TC71212/PP  | 3/4 X 3/4 PP | POLYPROPYLENE | .795    | .715    | .830    | .570    | 2.95    | .69     | .180    |
| TC71212/P   | 3/4 X 3/4 P  | POLYETHYLENE  | .790    | .715    | .830    | .56     | 2.92    | .69     | .180    |
| TC71212/N   | 3/4 X 3/4 N  | NYLON         | .805    | .725    | .850    | .580    | 2.98    | .70     | .185    |
| TC71212/K   | 3/4 X 3/4 K  | KYNAR         | .805    | .725    | .850    | .580    | 2.98    | .70     | .185    |

NOTES:  
 1) POLYPROPYLENE HAS COLOR OPTIONS:  
 BLACK = TC71212/PPB  
 NATURAL = TC71212/PPN

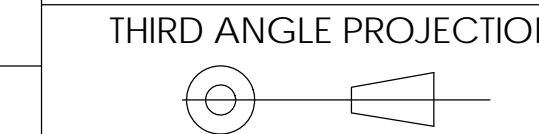
**PROPRIETARY AND CONFIDENTIAL**  
 THE INFORMATION CONTAINED IN THIS DRAWING IS THE SOLE PROPERTY OF THOGUS PRODUCTS COMPANY. ANY REPRODUCTION IN PART OR AS A WHOLE WITHOUT THE WRITTEN PERMISSION OF THOGUS PRODUCTS COMPANY IS PROHIBITED.

| REV     | WRO#     | DESCRIPTION            |
|---------|----------|------------------------|
| D       | 95.00041 | CONVERTED TO 3D FORMAT |
| HISTORY |          |                        |

|                                                                                                                                                                                                                                                                                             |  |  |      |          |
|---------------------------------------------------------------------------------------------------------------------------------------------------------------------------------------------------------------------------------------------------------------------------------------------|--|--|------|----------|
| UNLESS OTHERWISE SPECIFIED:<br>DIMENSIONS ARE IN INCHES<br>TOLERANCES:<br>ANGULAR: $\pm 0.5^\circ$<br>X.X = $\pm 0.1$<br>X.XX = $\pm 0.05$<br>X.XXX = $\pm 0.015$<br>REMOVE ALL SHARP EDGES AND BURRS<br>BLEND ALL RADII TO 0.01IN<br>INTERPRET GEOMETRIC TOLERANCING PER: ANSI Y 14.5 1994 |  |  | NAME | DATE     |
| DRAWN                                                                                                                                                                                                                                                                                       |  |  | KDJ  | 10/14/10 |
| CHECKED                                                                                                                                                                                                                                                                                     |  |  | KDJ  | 10/14/10 |
| ENG APPR.                                                                                                                                                                                                                                                                                   |  |  |      | XX/XX/XX |
| MFG APPR.                                                                                                                                                                                                                                                                                   |  |  |      | XX/XX/XX |
| Q.A.                                                                                                                                                                                                                                                                                        |  |  |      | XX/XX/XX |
| COMMENTS:                                                                                                                                                                                                                                                                                   |  |  |      |          |

**Thogus** You think it, we can make it...  
 33490 PIN OAK, AVON LAKE, OH 44012  
 TITLE: **BARB CONNECTOR, 3/4" X 3/4"**

|                  |                            |                 |
|------------------|----------------------------|-----------------|
| SIZE<br><b>B</b> | DWG. NO.<br><b>TC71212</b> | REV<br><b>D</b> |
| SCALE: 1:1       | MASS:                      | SHEET 1 OF 1    |



DO NOT SCALE DRAWING

8 7 6 5 4 3 2 1