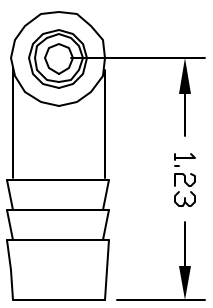
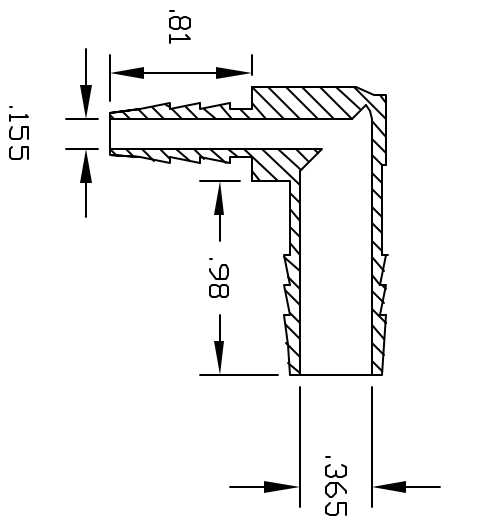
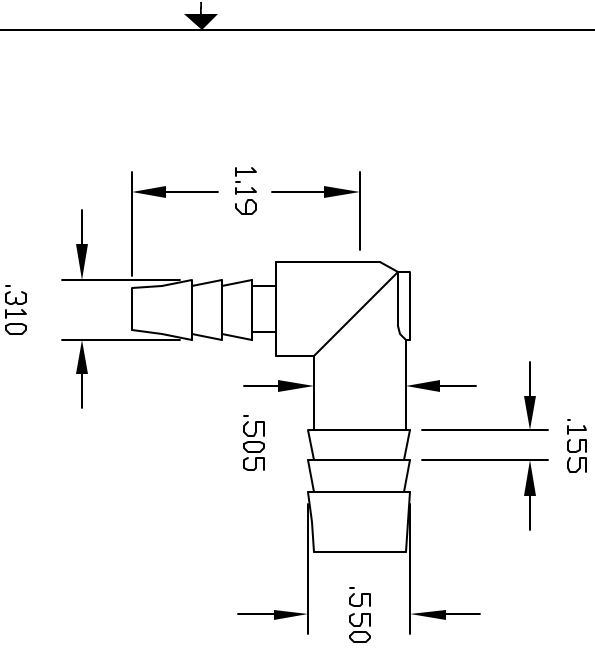


| REVISIONS |                    |        |          |
|-----------|--------------------|--------|----------|
| REV       | DESCRIPTION        | DATE   | APPROVED |
| A         | REDRAWN & RELEASED | 1/98   | 1/98     |
| B         | MODIFIED 1/2" BARB | 5/3/00 | BM       |



THIS PRINT AND THE SPECIFICATIONS ARE THE PROPERTY OF THOGUS PRODUCTS COMPANY AND HAVE BEEN ISSUED WITH THE UNDERSTANDING THAT REVISIONS WILL BE MADE AS NECESSARY TO REFLECT THE MANUFACTURE FOR OTHERS AND WILL BE RETURNED UPON REQUEST.

|   |          |  |         |
|---|----------|--|---------|
| UNLESS OTHERWISE SPECIFIED DIMENSIONS ARE IN INCHES |          | TOLERANCES                                     |         |
| XXX   | +/- .05  | XX   | +/- .05 |
| XXX   | +/- .015 |  |         |
| DRAWN   | BM       | DATE   | 5/7/00  |
| MATERIAL  |          | POLYETHYLENE                                   |         |
| Part Name   |          | 1/2 BARB X 1/4 BARB ELBOW                      |         |
| Part Number   |          | TE2084-T/P                                     |         |
| THOGUS PRODUCTS                                     |          | 33490 PIN DAK PARKWAY<br>AYDON LAKE OHIO 44012 |         |
| SCALE   | 1:1      | SHEET  | 1 of 1  |
| REV   | B        | REV  | B       |

CONTROLLED DOCUMENT  
ONLY IF IN RED