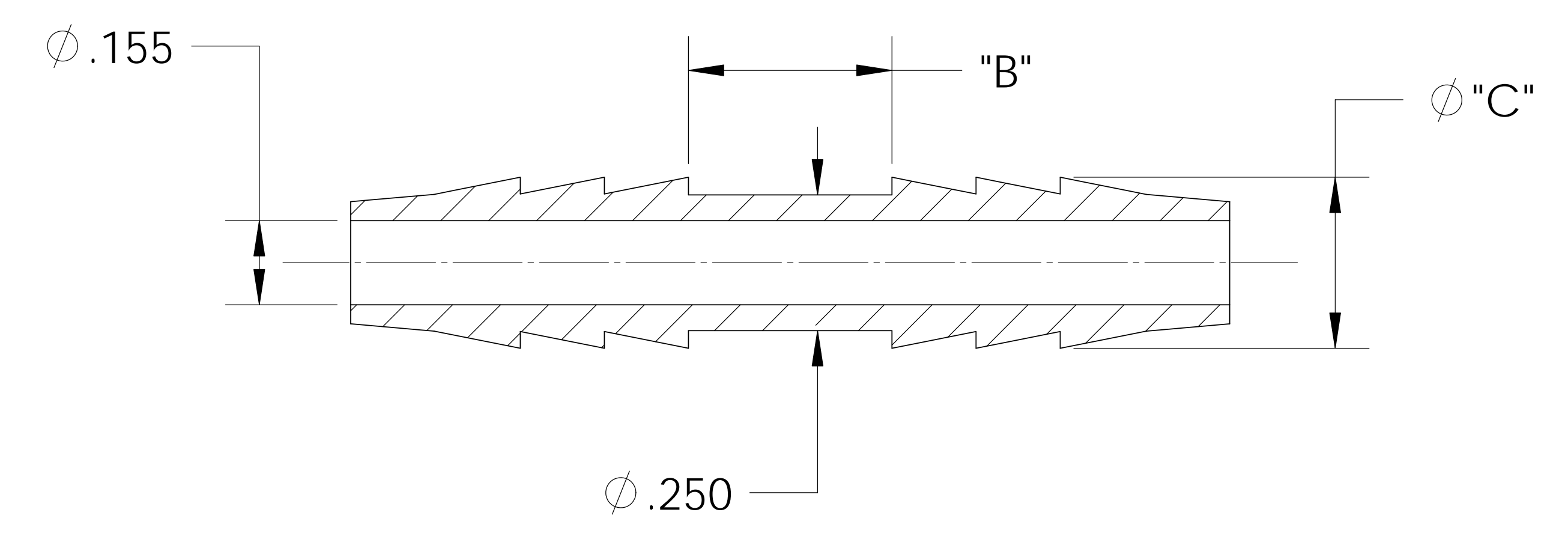
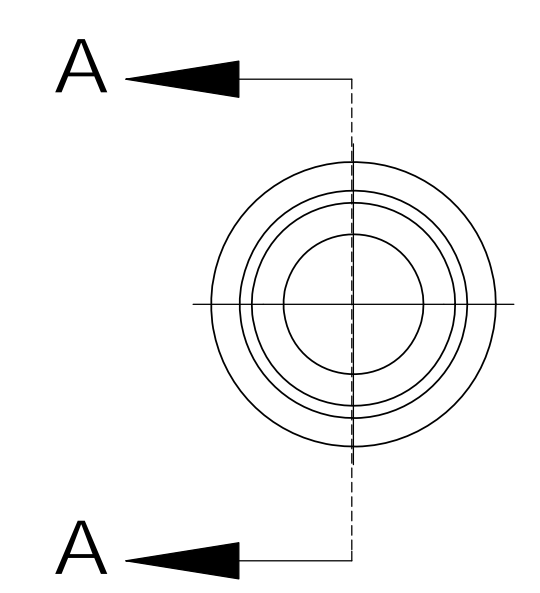
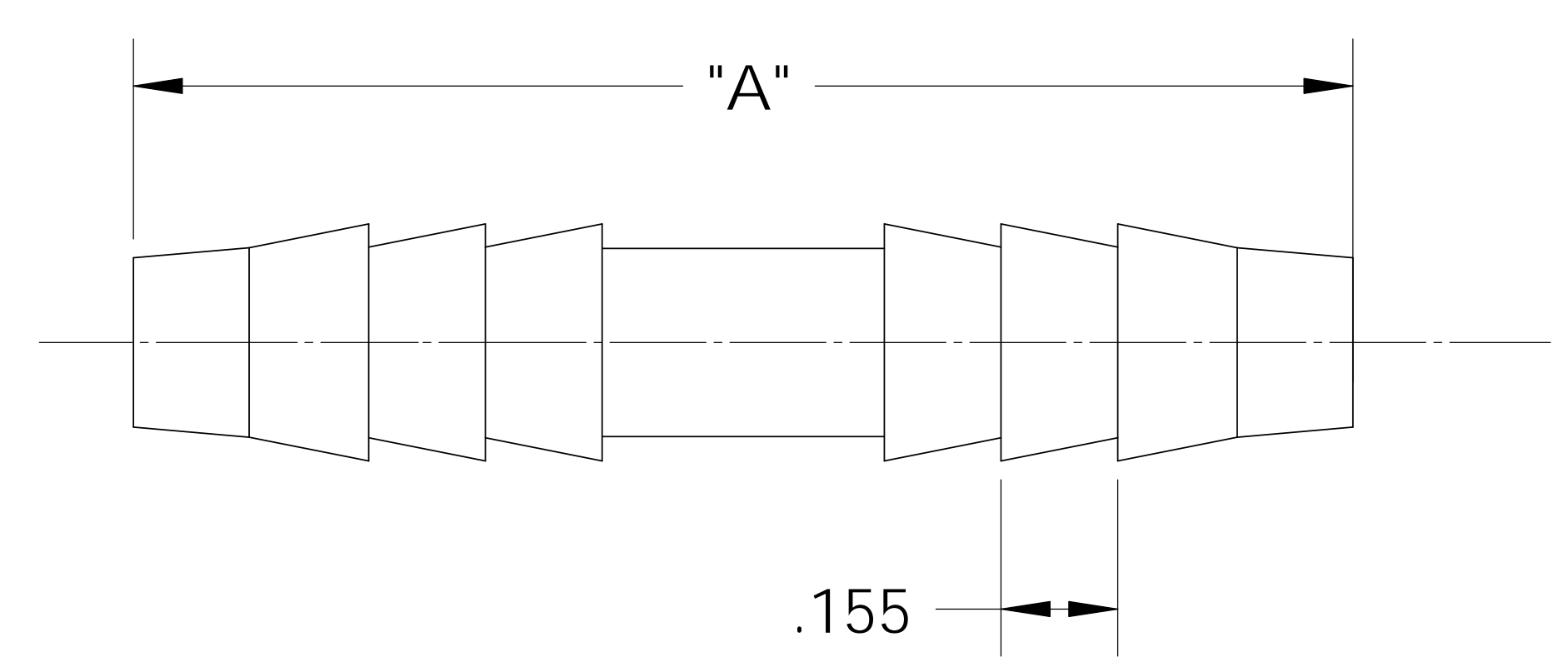
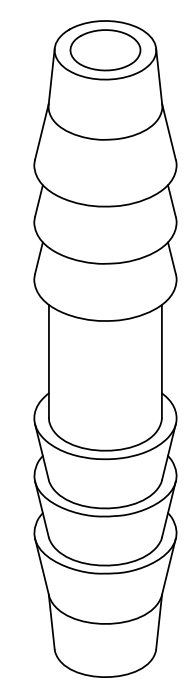


8 7 6 5 4 3 2 1

UNCONTROLLED IF PRINTED; CONTROLLED DOCUMENT LOCATED IN IQMS DOCUMENT CONTROL



SECTION A-A

SHOWN

CATALOG NO.	DESCRIPTION	MATERIAL	DIM "A"	DIM "B"	DIM "C"
TC7044/PP	1/4 X 1/4 PP	POLYPROPYLENE	1.60	.370	.305
TC7044/P	1/4 X 1/4 P	POLYETHYLENE	1.60	.360	.310
TC7044/N	1/4 X 1/4 N	NYLON	1.62	.375	.315
TC7044/K	1/4 X 1/4 K	KYNAR	1.62	.375	.315

NOTES:
 1) POLYPROPYLENE HAS COLOR OPTIONS:
 BLACK = TC7044/PPB
 NATURAL = TC7044/PPN

PROPRIETARY AND CONFIDENTIAL
 THE INFORMATION CONTAINED IN THIS DRAWING IS THE SOLE PROPERTY OF THOGUS PRODUCTS COMPANY. ANY REPRODUCTION IN PART OR AS A WHOLE WITHOUT THE WRITTEN PERMISSION OF THOGUS PRODUCTS COMPANY IS PROHIBITED.

REV	WRO#	DESCRIPTION
C	95.00041	CONVERTED TO 3D FORMAT
HISTORY		

UNLESS OTHERWISE SPECIFIED:		
DIMENSIONS ARE IN INCHES		
TOLERANCES:		
ANGULAR: ±0.5°		
X.X = ± 0.1		
X.XX = ± 0.05		
X.XXX = ± 0.015		
REMOVE ALL SHARP EDGES AND BURRS		
BLEND ALL RADII TO 0.01IN		
INTERPRET GEOMETRIC TOLERANCING PER: ANSI Y 14.5 1994		
MATERIAL: PP, P, N, K		
FINISH: NA		
THIRD ANGLE PROJECTION:		
NAME	KDJ	DATE
DRAWN	KDJ	10/08/10
CHECKED	KDJ	10/8/10
ENG APPR.		XX/XX/XX
MFG APPR.		XX/XX/XX
Q.A.		XX/XX/XX
COMMENTS:		

Thogus You think it, we can make it...
 33490 PIN OAK, AVON LAKE, OH 44012
TITLE:
BARB CONNECTOR, 1/4" X 1/4"

SIZE B	DWG. NO. TC7044	REV C
SCALE: 2:1	MASS:	SHEET 1 OF 1

8 7 6 5 4 3 2 1