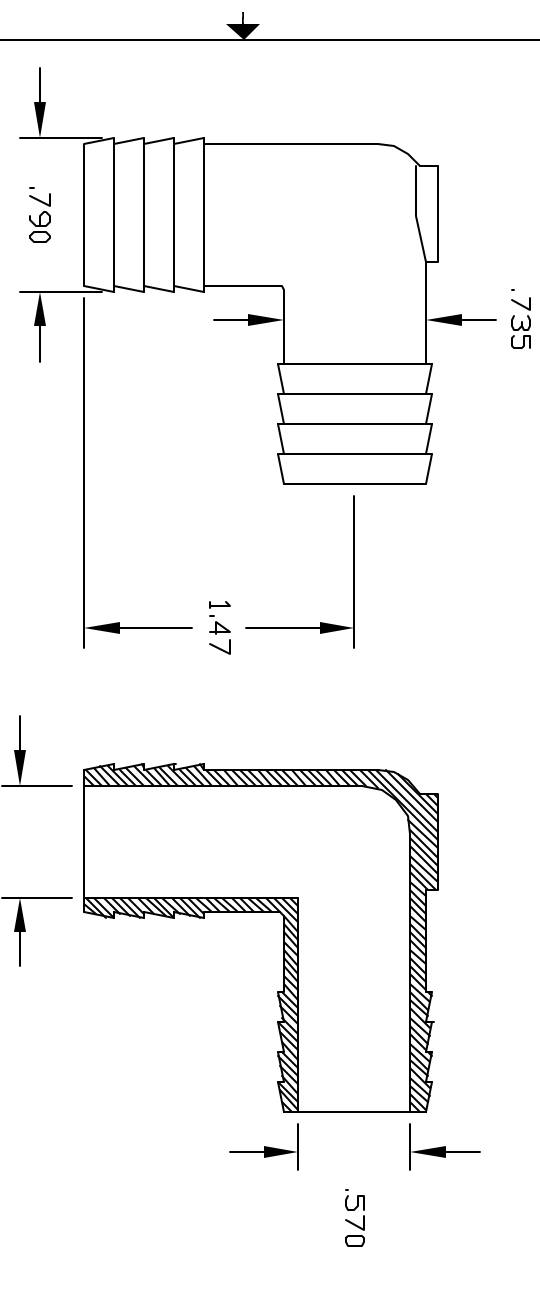


REVISIONS			
REV	DESCRIPTION	DATE	APPROVED
A	REDRAWN & RELEASED	2/98	2/98
B	GATE PAD ADDED	9/98	9/98



COLOR: BLACK (PPB)  
 NATURAL (PPN)

UNLESS OTHERWISE SPECIFIED DIMENSIONS ARE IN INCHES		Part Number	3/4 BAR X 3/4 BARB ELBOW
DECIMAL FRACTIONS	TOLERANCES	THOGUS PRODUCTS	33490 PIN OAK PARKWAY AYDON LAKE OHIO 44012
XX +/- .05	YY .05	DRAWN	NM
XXX +/- .015	ZZ .015	DATE	
MATERIAL		THOGUS	201212-T/PP
POLYPROPYLENE		Part Number	TE201212-T/PP
SCALE 1:1		SHEET 1	of 1
		REV	B

**CONFIDENTIAL**  
 THIS PRINT AND THE SPECIFICATIONS ARE THE PROPERTY OF THOGUS PRODUCTS COMPANY AND HAVE BEEN ISSUED WITH THE UNDERSTANDING THAT REVEALMENT OF THE DESIGN OR THE MANUFACTURE FOR OTHERS AND WILL BE RETURNED UPON REQUEST.

CONTROLLED DOCUMENT  
 ONLY IF IN RED