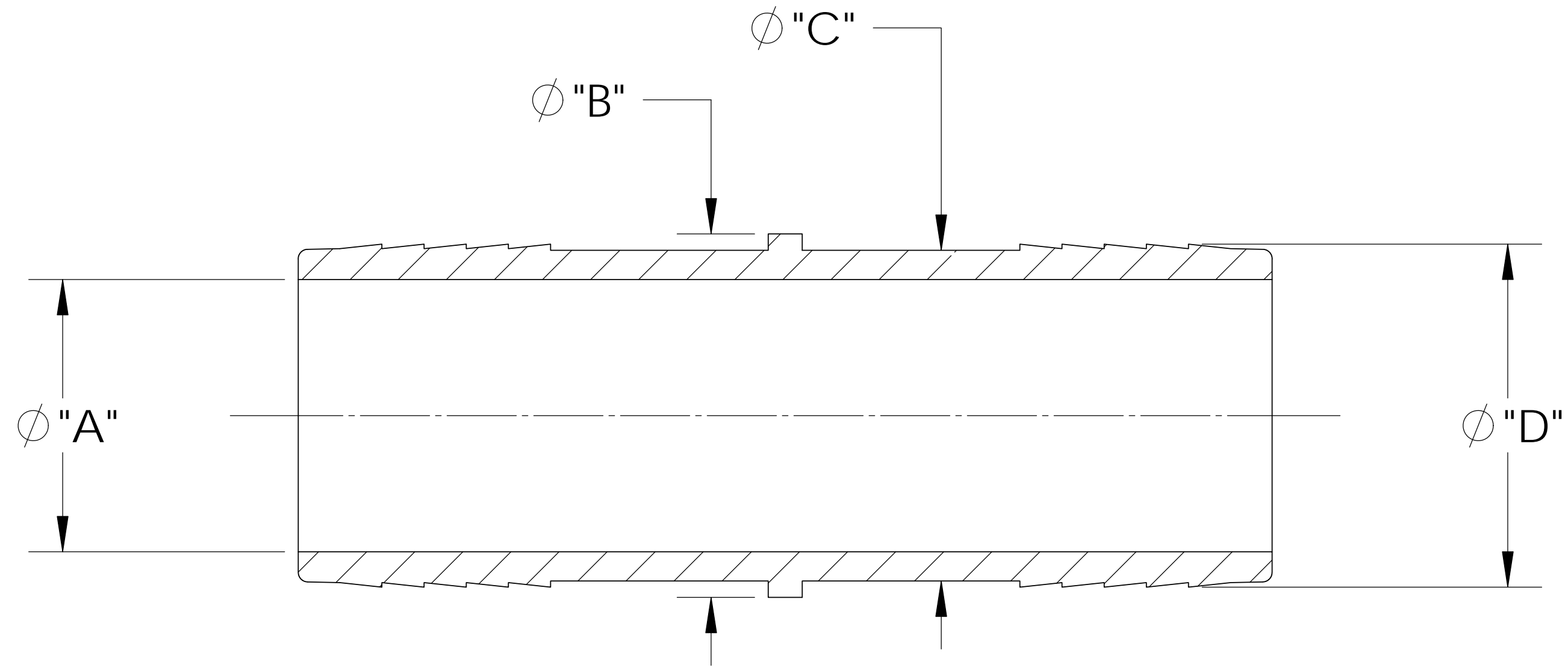
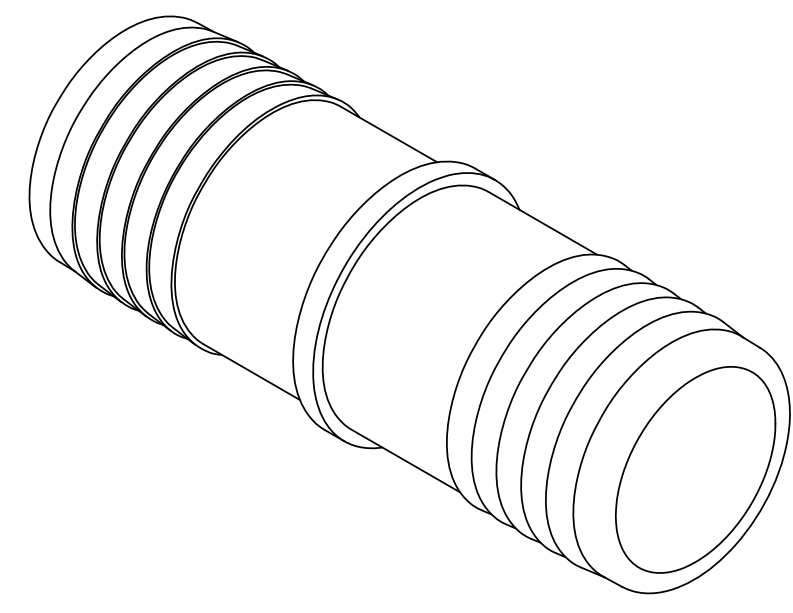
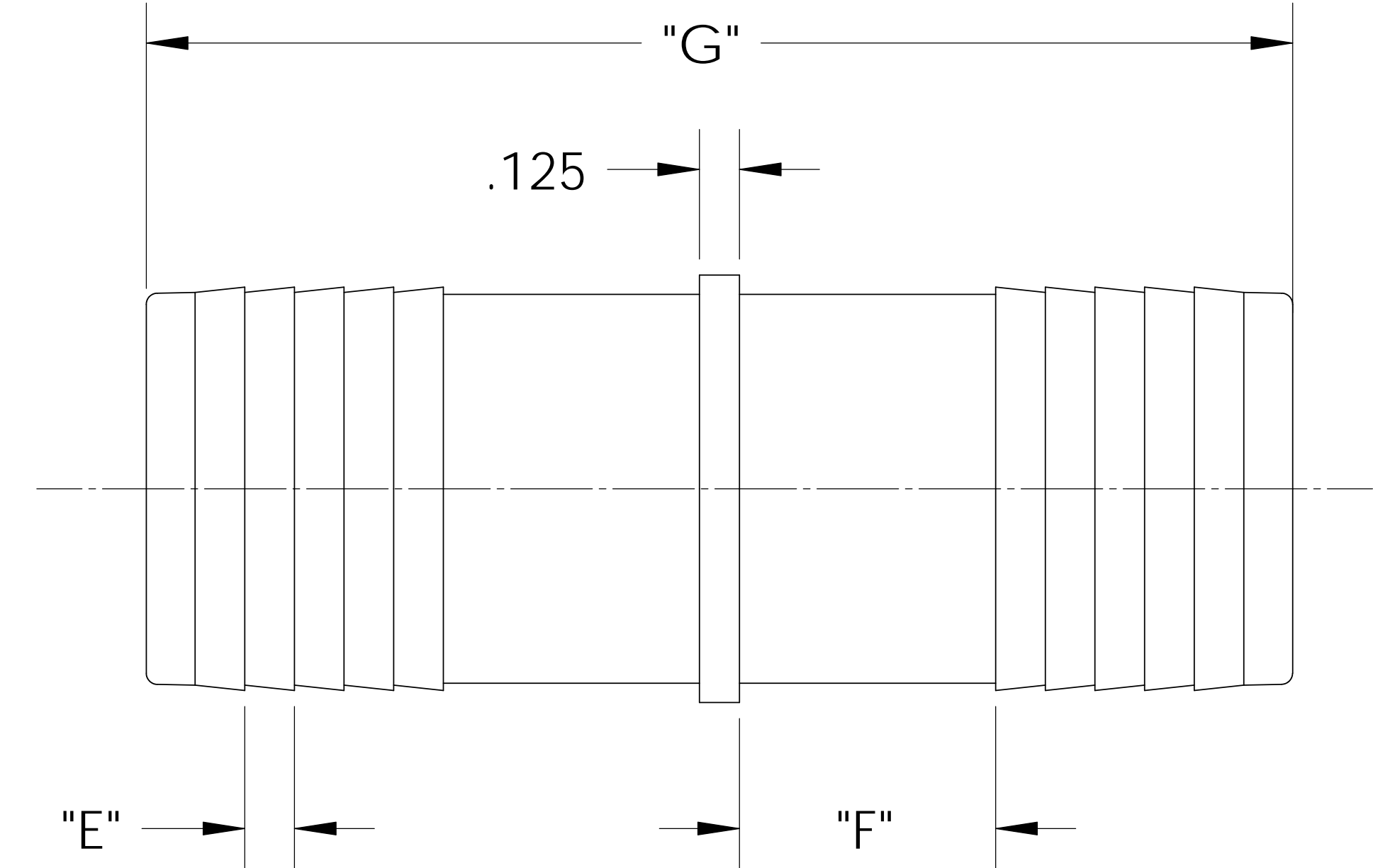
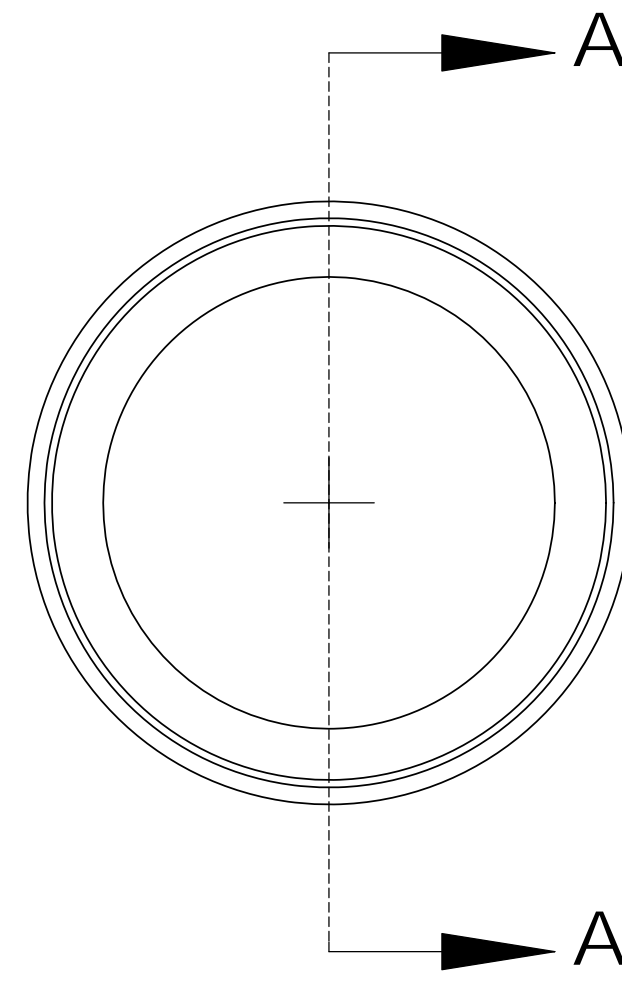


UNCONTROLLED IF PRINTED; CONTROLLED DOCUMENT LOCATED IN IQMS DOCUMENT CONTROL



SECTION A-A



CATALOG NO.	DESCRIPTION	MATERIAL	DIM "A"	DIM "B"	DIM "C"	DIM "D"	DIM "E"	DIM "F"	DIM "G"
TC72020/PP	1 1/4 X 1 1/4 PP	POLYPROPYLENE	.985	1.310	1.195	1.245	.150	.79	3.52
TC72020/N	1 1/4 X 1 1/4 N	NYLON	1.000	1.335	1.215	1.260	.155	.80	3.58

SHOWN

NOTES:

- POLYPROPYLENE HAS COLOR OPTIONS:  
 BLACK = TC72020/PPB  
 NATURAL = TC72020/PPN

**PROPRIETARY AND CONFIDENTIAL**  
 THE INFORMATION CONTAINED IN THIS DRAWING IS THE SOLE PROPERTY OF THOGUS PRODUCTS COMPANY. ANY REPRODUCTION IN PART OR AS A WHOLE WITHOUT THE WRITTEN PERMISSION OF THOGUS PRODUCTS COMPANY IS PROHIBITED.

REV	WRO#	DESCRIPTION
D	95.00041	CONVERTED TO 3D FORMAT
HISTORY		

UNLESS OTHERWISE SPECIFIED:  
 DIMENSIONS ARE IN INCHES  
 TOLERANCES:  
 ANGULAR:  $\pm 0.5^\circ$   
 X.X =  $\pm 0.1$   
 X.XX =  $\pm 0.05$   
 X.XXX =  $\pm 0.015$   
 REMOVE ALL SHARP EDGES AND BURRS  
 BLEND ALL RADII TO 0.01IN  
 INTERPRET GEOMETRIC TOLERANCING PER: ANSI Y 14.5 1994  
 MATERIAL:  
 PP, N  
 FINISH:  
 NA  
 THIRD ANGLE PROJECTION:

NAME	DATE
DRAWN KDJ	10/18/10
CHECKED KDJ	10/18/10
ENG APPR.	XX/XX/XX
MFG APPR.	XX/XX/XX
Q.A.	XX/XX/XX

**Thogus** You think it, we can make it...  
 33490 PIN OAK, AVON LAKE, OH 44012  
 TITLE:  
**BARB CONNECTOR, 1-1/4" X 1-1/4"**  
 SIZE **B** DWG. NO. **TC72020** REV **D**  
 SCALE: 1:1 MASS: SHEET 1 OF 1

DO NOT SCALE DRAWING