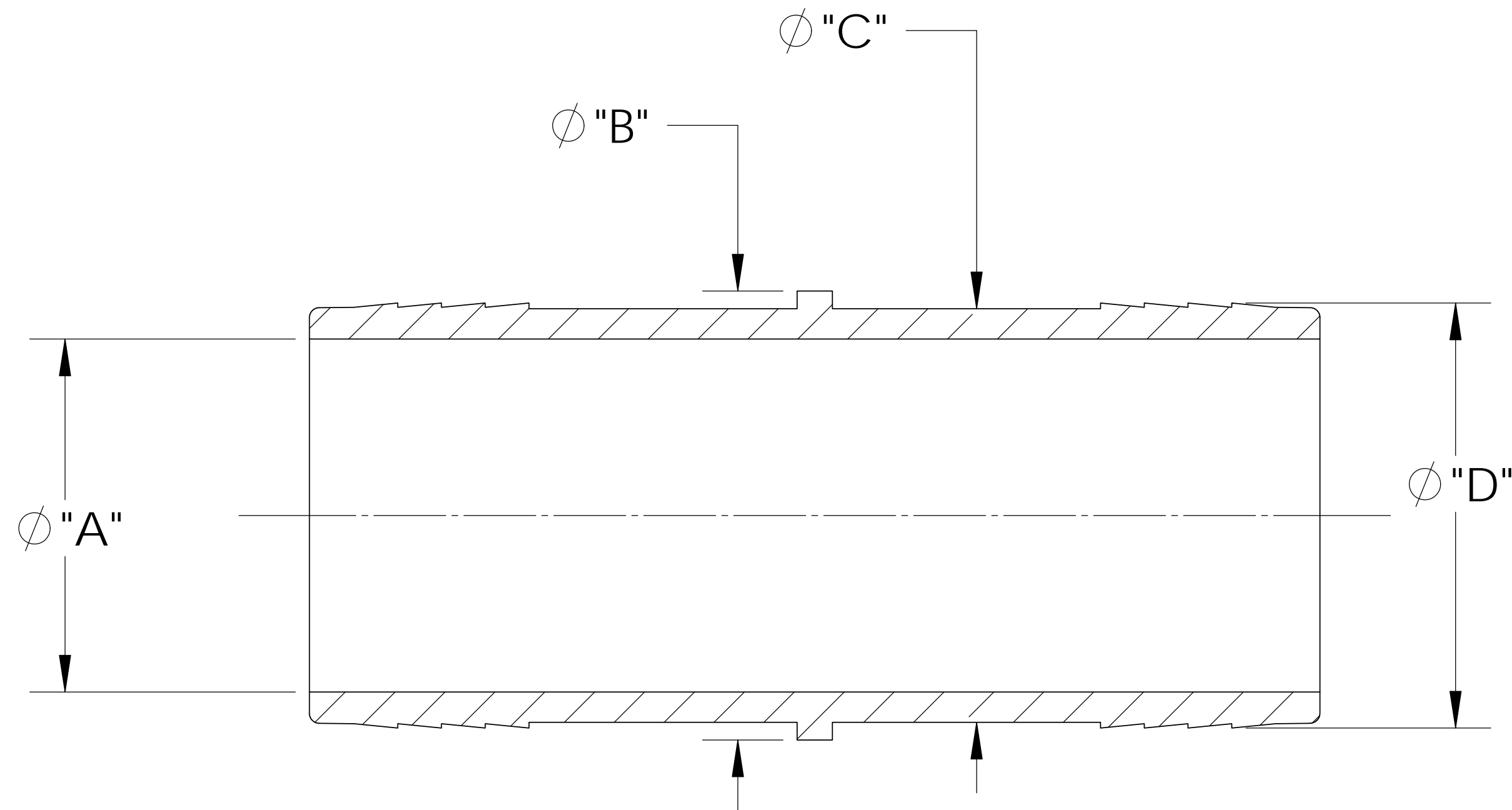
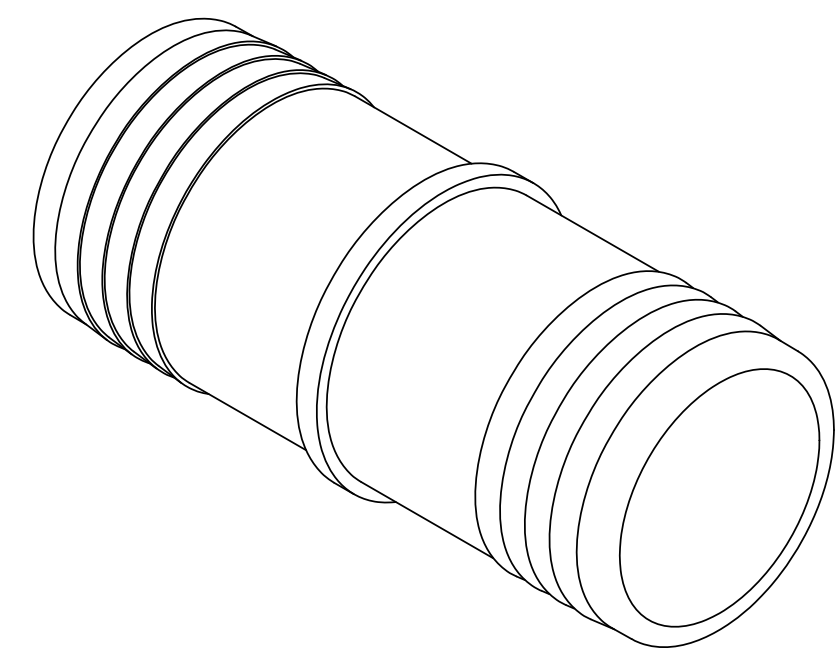
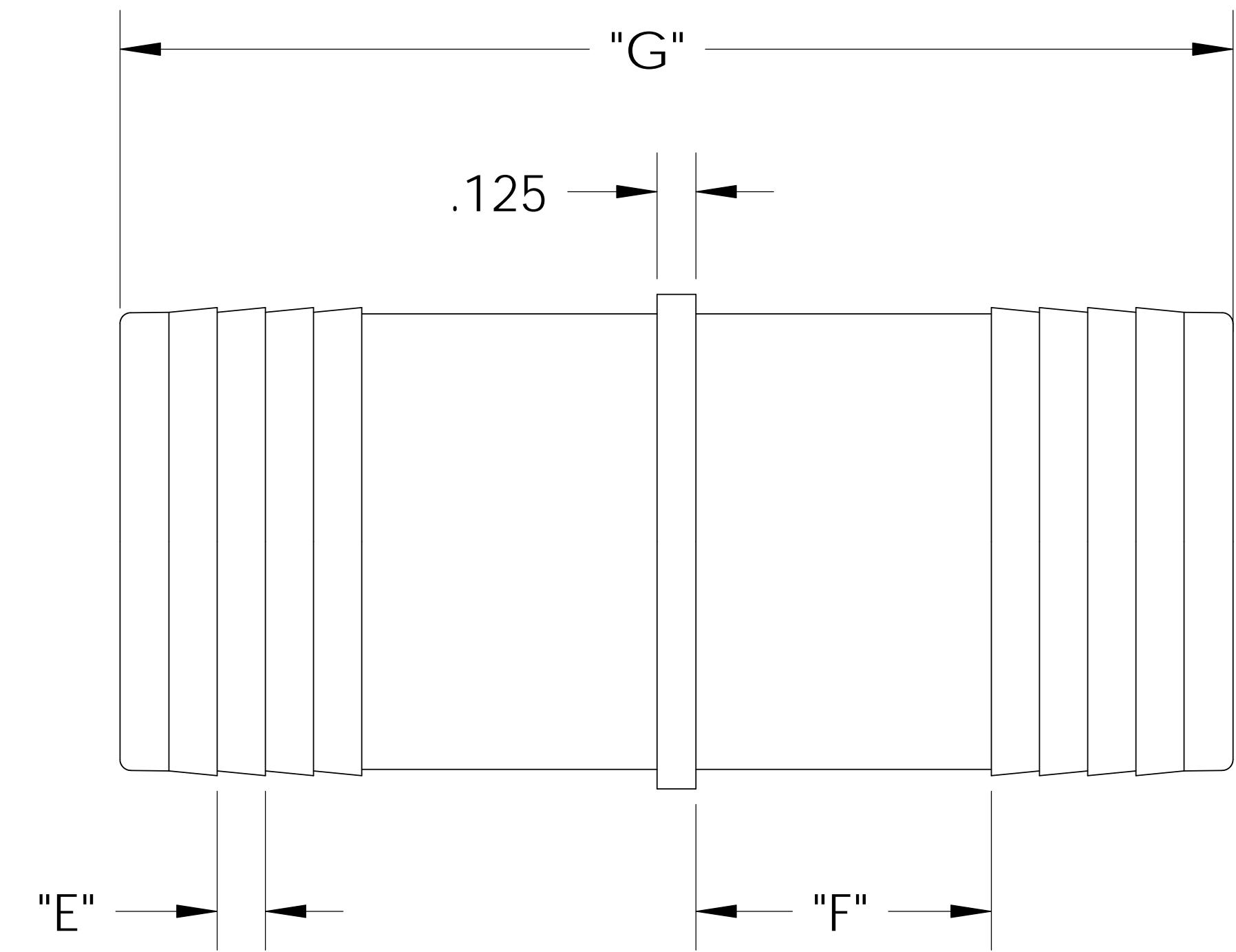
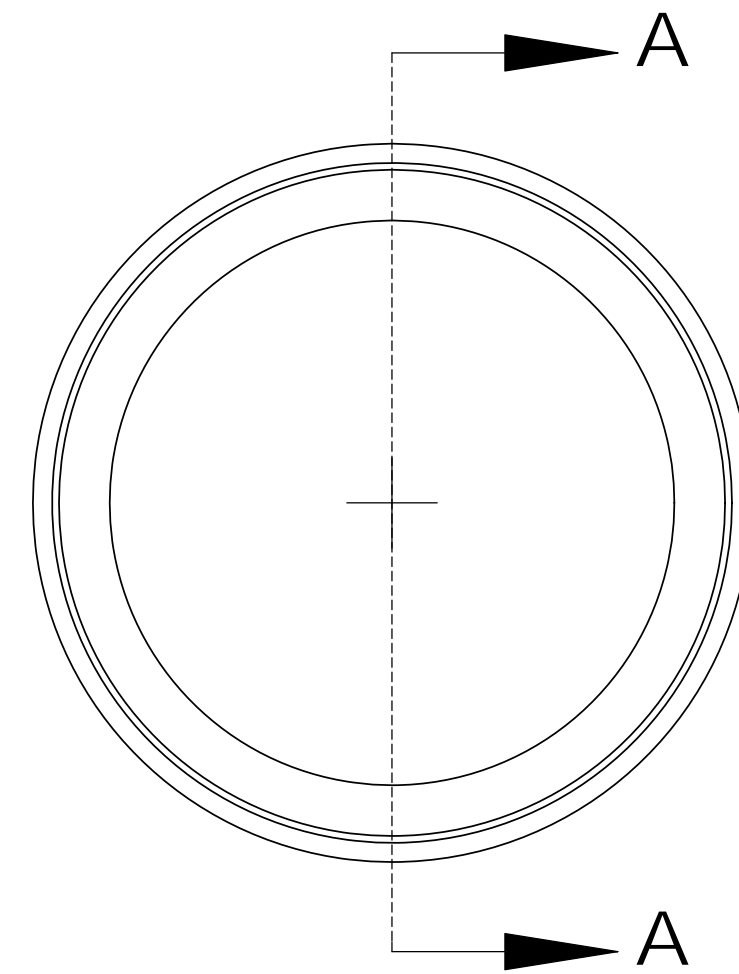


UNCONTROLLED IF PRINTED; CONTROLLED DOCUMENT LOCATED IN IQMS DOCUMENT CONTROL



SECTION A-A



CATALOG NO.	DESCRIPTION	MATERIAL	DIM "A"	DIM "B"	DIM "C"	DIM "D"	DIM "E"	DIM "F"	DIM "G"
TC72424/PP	1 1/2 X 1 1/2 PP	POLYPROPYLENE	1.250	1.590	1.465	1.505	.155	.95	3.58
TC72424/N	1 1/2 X 1 1/2 N	NYLON	1.250	1.590	1.465	1.505	.155	.95	3.58

SHOWN

NOTES:


- POLYPROPYLENE HAS COLOR OPTIONS:  
BLACK = TC72424/PPB  
NATURAL = TC72424/PPN

**PROPRIETARY AND CONFIDENTIAL**  
THE INFORMATION CONTAINED IN THIS DRAWING IS THE SOLE PROPERTY OF THOGUS PRODUCTS COMPANY. ANY REPRODUCTION IN PART OR AS A WHOLE WITHOUT THE WRITTEN PERMISSION OF THOGUS PRODUCTS COMPANY IS PROHIBITED.

REV	WRO#	DESCRIPTION
D	95.00041	CONVERTED TO 3D FORMAT
HISTORY		

UNLESS OTHERWISE SPECIFIED:  
DIMENSIONS ARE IN INCHES  
TOLERANCES:  
ANGULAR:  $\pm 0.5^\circ$   
X.X =  $\pm 0.1$   
X.XX =  $\pm 0.05$   
X.XXX =  $\pm 0.015$   
REMOVE ALL SHARP EDGES AND BURRS  
BLEND ALL RADII TO 0.01IN  
INTERPRET GEOMETRIC TOLERANCING PER: ANSI Y 14.5 1994  
MATERIAL: PP, N  
FINISH: NA  
THIRD ANGLE PROJECTION:

NAME	DATE
DRAWN KDJ	10/18/10
CHECKED KDJ	10/18/10
ENG APPR.	XX/XX/XX
MFG APPR.	XX/XX/XX
Q.A.	XX/XX/XX

  
**Thogus** You think it, we can make it...  
 33490 PIN OAK, AVON LAKE, OH 44012

TITLE: **BARB CONNECTOR, 1-1/2" X 1-1/2"**

SIZE <b>B</b>	DWG. NO. <b>TC72424</b>	REV <b>D</b>
SCALE: 1:1	MASS:	SHEET 1 OF 1

DO NOT SCALE DRAWING