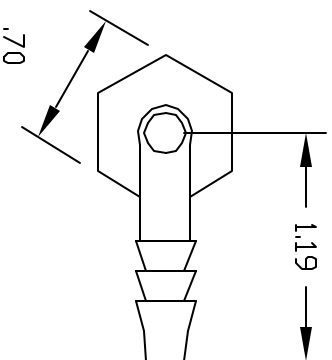
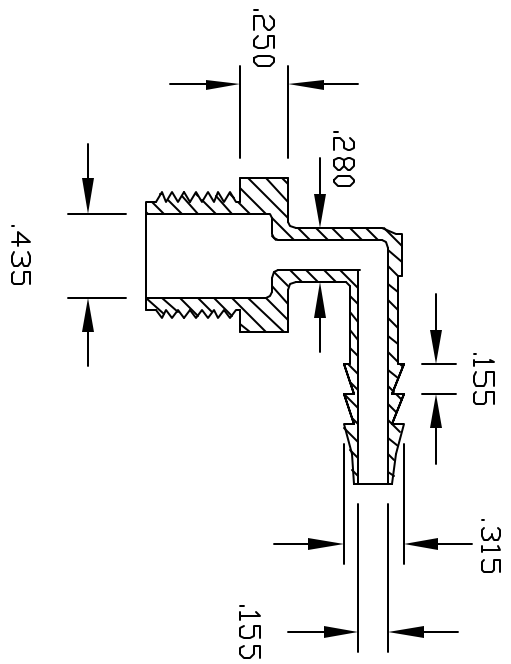
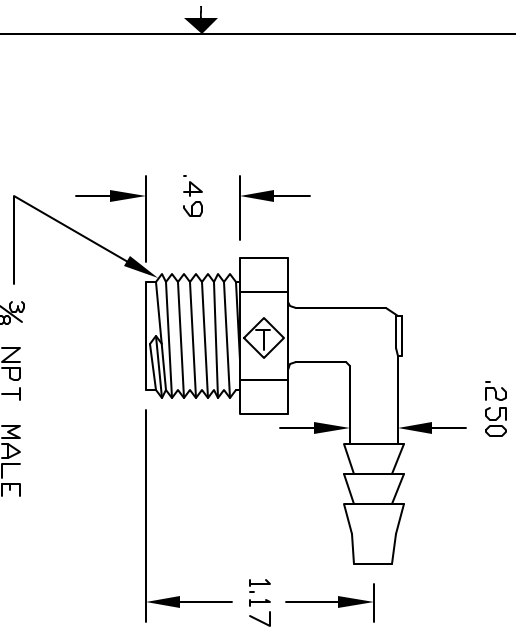


REVISIONS			
REV	DESCRIPTION	DATE	APPROVED
A	REDRAWN & RELEASED	4/98	4/98
B	MODIFY BARBS	12/02	12/02



CONTROLLED DOCUMENT
ONLY IF IN RED

THIS PRINT AND THE SPECIFICATIONS ARE THE PROPERTY OF THOGUS PRODUCTS COMPANY AND HAVE BEEN ISSUED WITH THE UNDERSTANDING THAT IT IS TO BE USED FOR THE MANUFACTURE OF THE PARTS AND WILL BE RETURNED UPON REQUEST.

UNLESS OTHERWISE SPECIFIED DIMENSIONS ARE IN INCHES	
DECIMAL FRACTIONS	XX +/- .05
FRACTIONS	XX +/- .015
XX +/- .015	XX +/- .015

Part Number	3/8NPT X 1/4 BARB EL.BOW
THOGUS PRODUCTS	33490 PIN DAK PARKWAY AYDON LAKE OHIO 44012
Part Number	TE2064/N
SCALE	1:1
SHEET	1 of 1
REV	B

THOGUS PRODUCTS COMPANY
33490 PIN DAK PARKWAY
AYDON LAKE OHIO 44012