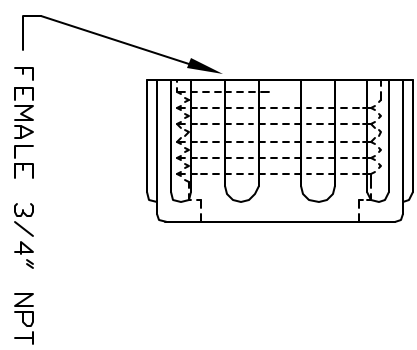
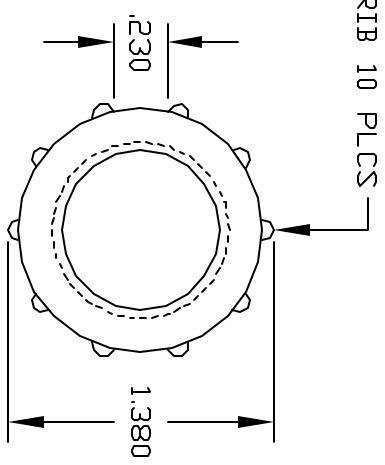
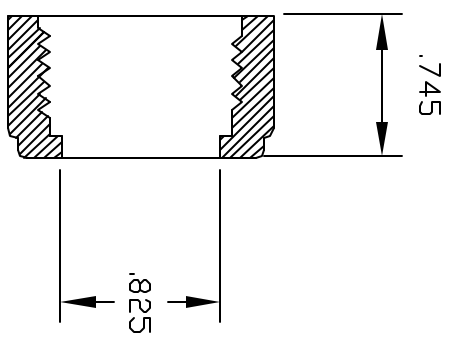


REVISIONS			
REV	DESCRIPTION	DATE	APPROVED
A	REDRAWN & RELEASED	1/98	1/98
B	UPDATE DWG	9/07	9/07



CONTROLLED DOCUMENT
ONLY IF IN RED

.825Ø DOES NOT MATE WITH
THOGUS GHA SERIES HOSE BARB
INSERTS DUE TO PIPE THREAD TAPER

CONFIDENTIAL
THIS PRINT AND THE SPECIFICATIONS
ARE THE PROPERTY OF THOGUS
PRODUCTS COMPANY AND HAVE BEEN
ISSUED WITH THE UNDERSTANDING THAT
IT IS TO BE USED FOR THE
MANUFACTURE OF THIS PART AND WILL
BE RETURNED UPON REQUEST.

UNLESS OTHERWISE SPECIFIED DIMENSIONS ARE IN INCHES DECIMALS FRACTIONS TOLERANCES ANGULARS		DRAWN DATE	
.XX +/- .05 XXX.XX +/- .0125		1/98	
MATERIAL NYLON		Part Name 3/4NPT FEMALE RIBBED NUT	
THOGUS PRODUCTS 33597 PIN DAK PARKWAY AVON LAKE OHIO 44012		Part Number RN12/N	
REV B		SHEET 1 of 1	