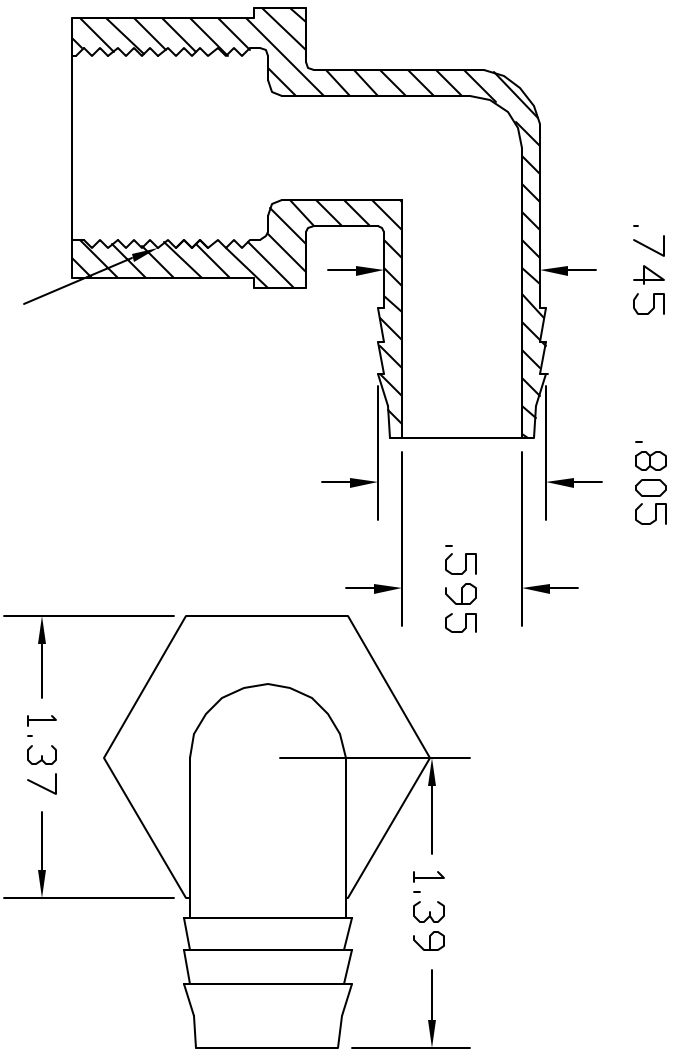
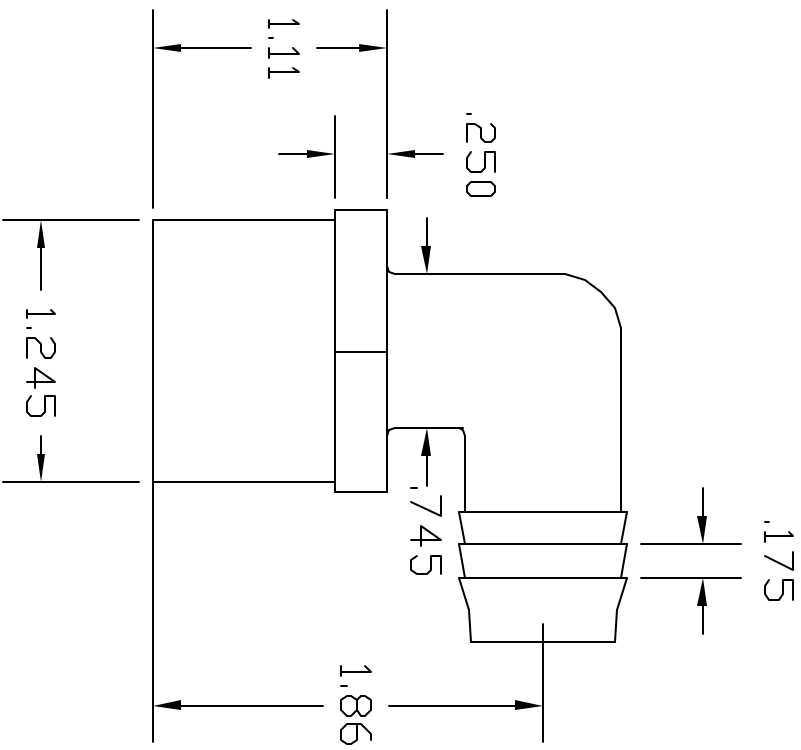


REV	DESCRIPTION	DATE	APPROVED
A	REDRAWN AND RELEASED	1/98	1/98
B	MODIFY BARB & HEX	01/30/06	01/30/06



3/4NPT-FEMALE

CONTROLLED DOCUMENT
ONLY IF IN RED

CONSEQUENTIAL:
THIS PRINT AND THE SPECIFICATIONS ARE THE PROPERTY AND HAVE BEEN ISSUED WITH THE UNDERSTANDING THAT IT WILL NOT BE REPRODUCED, REVEALED TO OR USED FOR THE MANUFACTURE FOR OTHERS AND WILL BE RETURNED UPON REQUEST.

UNLESS OTHERWISE SPECIFIED		PART NAME:	
DIMENSIONS IN INCHES		3/4-1/4NPT FEMALE X 3/4 BARB FEMALE ELBOW	
DECIMALS .XX ±.05			
ANGULAR .XXX ±.05			
DRAWN BM		DATE 1/12/06	
MATERIAL NYLON		PART NUMBER TEF201212/N	
SCALE 1:1		SHEET 1 OF 1	
THOGUS PRODUCTS		33490 PIN OAK PARKWAY	
TEF201212/N		AVON LAKE OHIO 44012	
REV B			