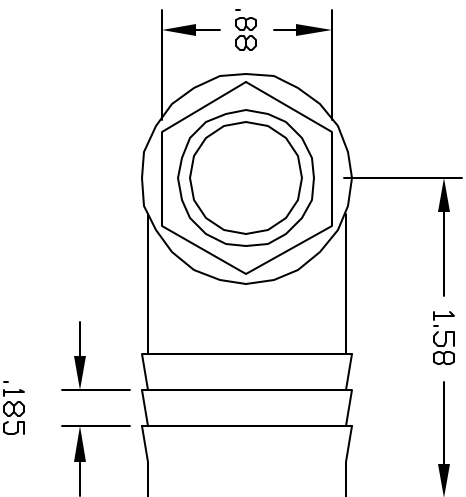
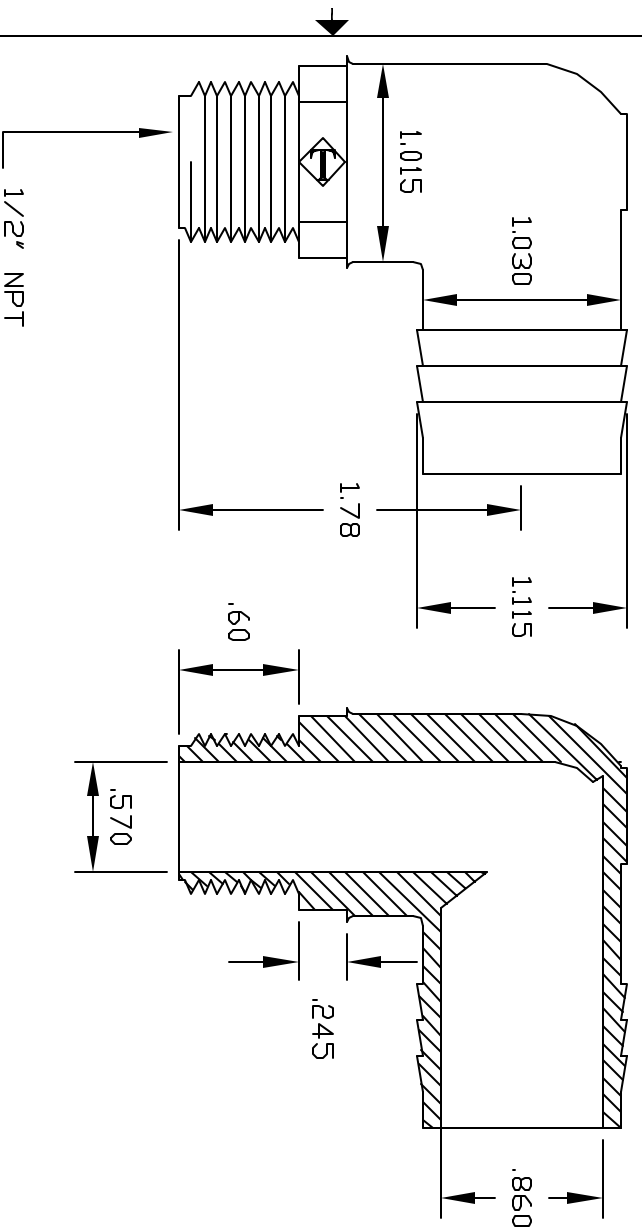


| REVISIONS | | | |
|-----------|--------------------|------|----------|
| REV | DESCRIPTION | DATE | APPROVED |
| A | REDRAWN & RELEASED | 5/98 | 5/98 |
| B | UPDATE DWG | 9/07 | 9/07 |



CONDONATIONAL
 THIS PRINT AND THE SPECIFICATIONS ARE THE PROPERTY OF THOUGUS PRODUCTS COMPANY AND HAVE BEEN ISSUED WITH THE UNDERSTANDING THAT THE USER WILL BE RESPONSIBLE FOR THE MANUFACTURE OF THE PARTS AND WILL BE RETURNED UPON REQUEST.

| | |
|-----------------------------------------------------|-------|
| UNLESS OTHERWISE SPECIFIED DIMENSIONS ARE IN INCHES | |
| DRAWN | NM |
| CHECKED | |
| DATE | 5/98 |
| MATERIAL | NYLON |

| | |
|--------------|----------------------------|
| Part Name: | 1/2 NPT X 13/16 BARB ELBOW |
| Part Number: | TE20816/N |
| Scale: | 1:1 |
| Sheet: | 1 of 1 |
| Rev: | B |

THOUGUS PRODUCTS
 33490 PIN DAK PARKWAY
 AYOON LAKE OHIO 44012

CONTROLLED DOCUMENT
 ONLY IF IN RED