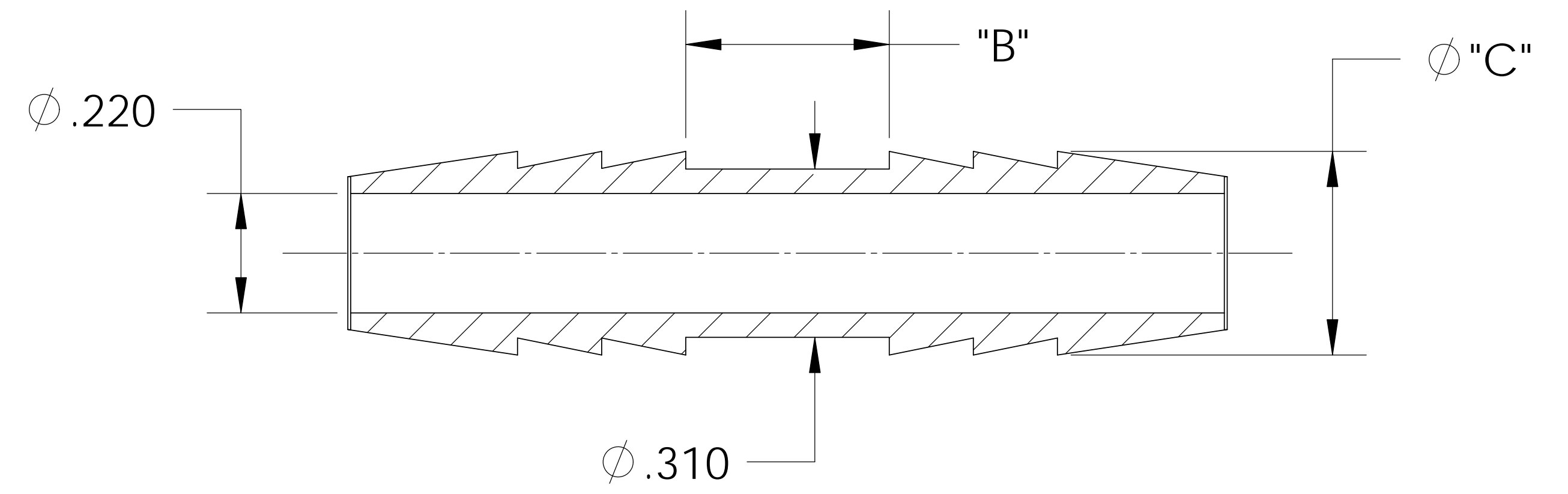
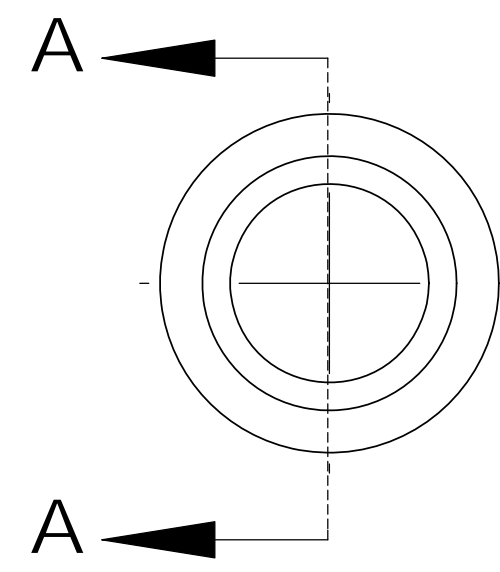
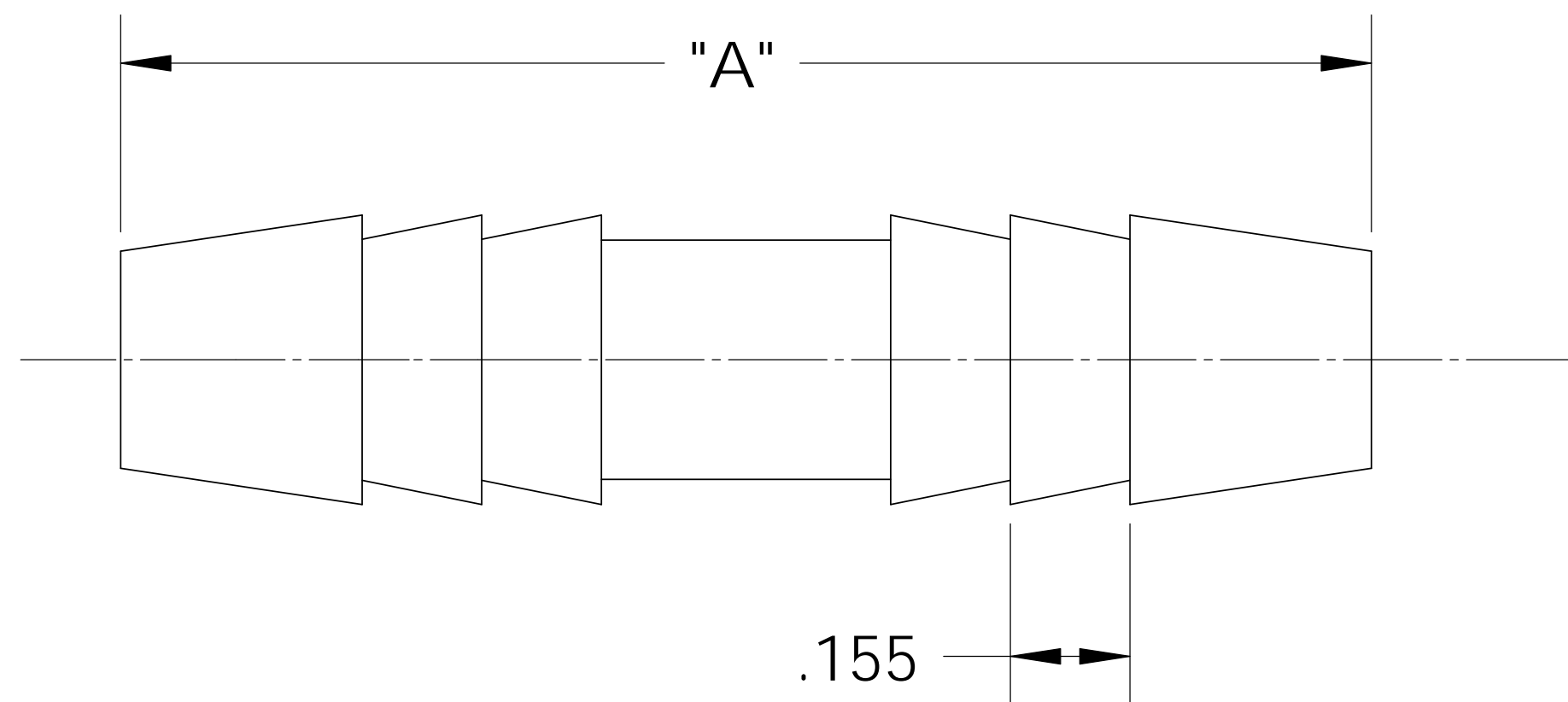
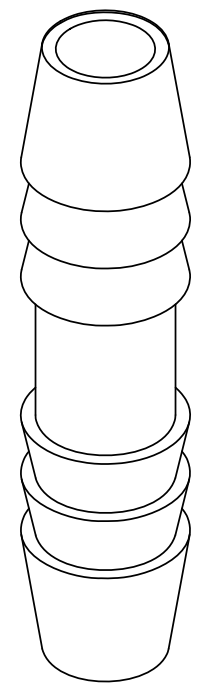


UNCONTROLLED IF PRINTED; CONTROLLED DOCUMENT LOCATED IN IQMS DOCUMENT CONTROL



SECTION A-A

SHOWN

CATALOG NO.	DESCRIPTION	MATERIAL	DIM "A"	DIM "B"	DIM "C"
TC7055/PP	5/16 X 5/16 PP	POLYPROPYLENE	1.60	.370	.365
TC7055/P	5/16 X 5/16 P	POLYETHYLENE	1.58	.365	.365
TC7055/N	5/16 X 5/16 N	NYLON	1.61	.375	.375
TC7055/K	5/16 X 5/16 K	KYNAR	1.61	.375	.375

NOTES:


- 1) POLYPROPYLENE HAS COLOR OPTIONS:
 BLACK = TC7055/PPB
 NATURAL = TC7055/PPN

PROPRIETARY AND CONFIDENTIAL
 THE INFORMATION CONTAINED IN THIS DRAWING IS THE SOLE PROPERTY OF THOGUS PRODUCTS COMPANY. ANY REPRODUCTION IN PART OR AS A WHOLE WITHOUT THE WRITTEN PERMISSION OF THOGUS PRODUCTS COMPANY IS PROHIBITED.

REV	WRO#	DESCRIPTION
D	95.00041	CONVERTED TO 3D FORMAT
HISTORY		

UNLESS OTHERWISE SPECIFIED:
 DIMENSIONS ARE IN INCHES
 TOLERANCES:
 ANGULAR: ±0.5°
 X.X = ± 0.1
 X.XX = ± 0.05
 X.XXX = ± 0.015
 REMOVE ALL SHARP EDGES AND BURRS
 BLEND ALL RADII TO 0.01IN
 INTERPRET GEOMETRIC TOLERANCING PER: ANSI Y 14.5 1994
 MATERIAL: PP, P, N, K
 FINISH: NA
 THIRD ANGLE PROJECTION:

NAME	DATE
DRAWN KDJ	10/08/10
CHECKED KDJ	10/8/10
ENG APPR.	XX/XX/XX
MFG APPR.	XX/XX/XX
Q.A.	XX/XX/XX


Thogus You think it, we can make it...
 33490 PIN OAK, AVON LAKE, OH 44012
TITLE:
 BARB CONNECTOR, 5/16" X 5/16"

SIZE B	DWG. NO. TC7055	REV D
SCALE: 2:1	MASS:	SHEET 1 OF 1

DO NOT SCALE DRAWING