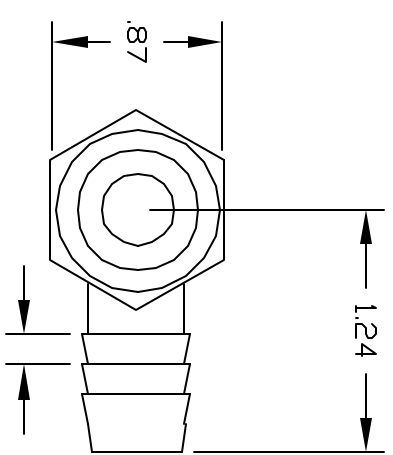
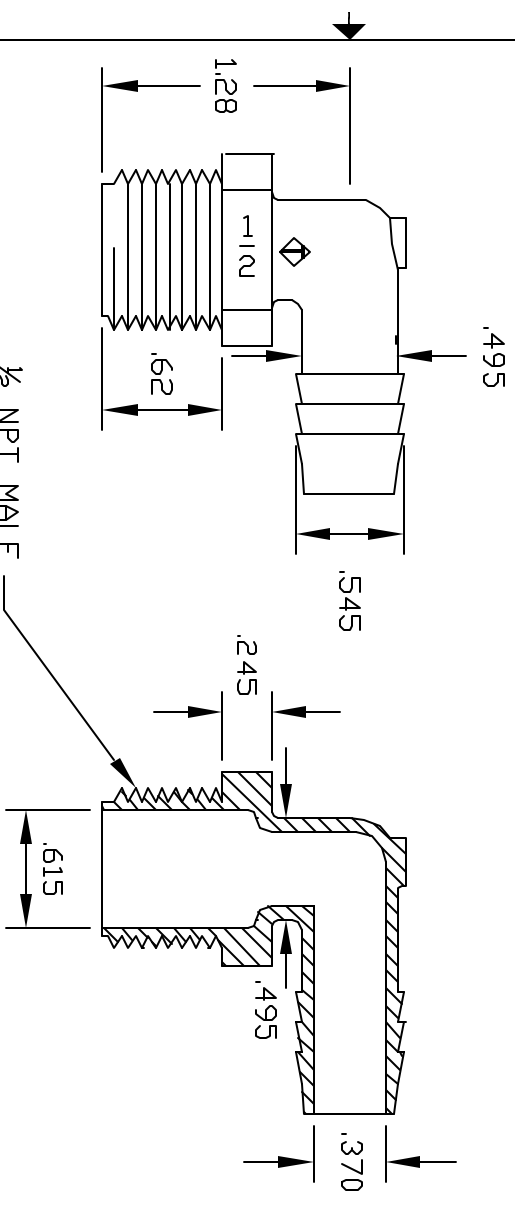


REVISIONS				
ZINC	REV	DESCRIPTION	DATE	APPROVED
	A	REDRAWN & RELEASED	5/98	5/98
	B	LEAD BARB	7/99	7/99
	C	.540 TD .550 1.11 TD 1.26 .500 TD .490 .90 TD .88	7/99	7/99



COLOR: BLACK (PPB)
NATURAL (PPN)

1.28
1.12
.62
.495
.545
.245
.370
.615

CONTROLLED DOCUMENT
ONLY IF IN RED

CONFIDENTIAL
THIS PRINT AND THE SPECIFICATIONS ARE THE PROPERTY OF THOGUS PRODUCTS COMPANY AND HAVE BEEN ISSUED WITH THE UNDERSTANDING THAT IT IS TO BE KEPT FOR THE MANUFACTURE OF THIS PRODUCT AND WILL BE RETURNED UPON REQUEST.

UNLESS OTHERWISE SPECIFIED DIMENSIONS ARE IN INCHES
TOLERANCES
XX +/- .05
XXX +/- .015
DRAWN MS
DATE 1/798
MATERIAL POLYPROPYLENE

Part Name
1/2NPT X 1/2 BARB ELBOW
THOGUS PRODUCTS
33490 PIN DAK PARKWAY
AVON LAKE OHIO 44012
Part Number
TE2088/PP
SCALE 1:1
SHEET 1 of 1
REV C

ALL DIMENSIONS ARE GIVEN UNLESS OTHERWISE SPECIFIED