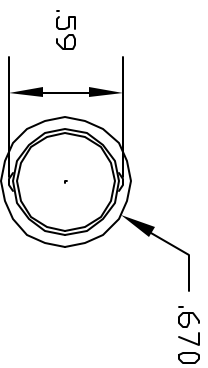
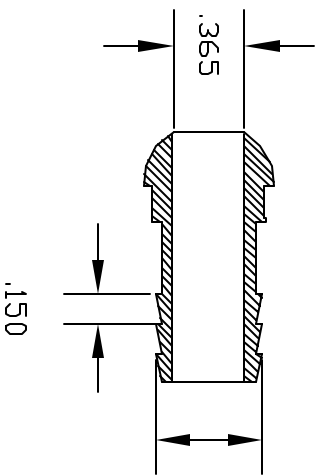
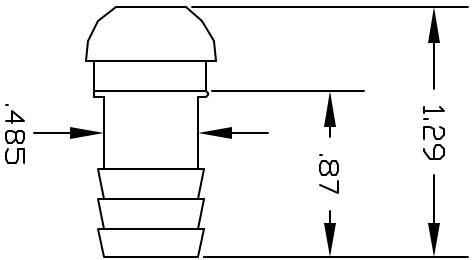


REVISIONS			
REV	DESCRIPTION	DATE	APPROVED
A	DRAWN AND RELEASE	1/98	
B	UPDATE DWG	9/07	9/07



TO MAKE WITH THOGUS PART NUMBER
SN8/N, 1/2" NPT FEMALE NUT

CONTROLLED DOCUMENT
ONLY IF IN RED

UNLESS OTHERWISE SPECIFIED DIMENSIONS ARE IN INCHES TOLERANCES ARE: DECIMALS .XX +/- .005 ANGLES .XX +/- .015 DRAWS .XX +/- .015		Part Name 1/2 BARB SWIVEL NUT ADAPTER INSERT	
DATE 1/98	DRAWN NM	THOGUS PRODUCTS 33490 PIN DAK PARKWAY AVON LAKE OHIO 44012	
MATERIAL POLYPROPYLENE BLACK	FINISH SNAB/PB	Part Number SNAB/PPB	REV B
SHEET 1		OF 1	