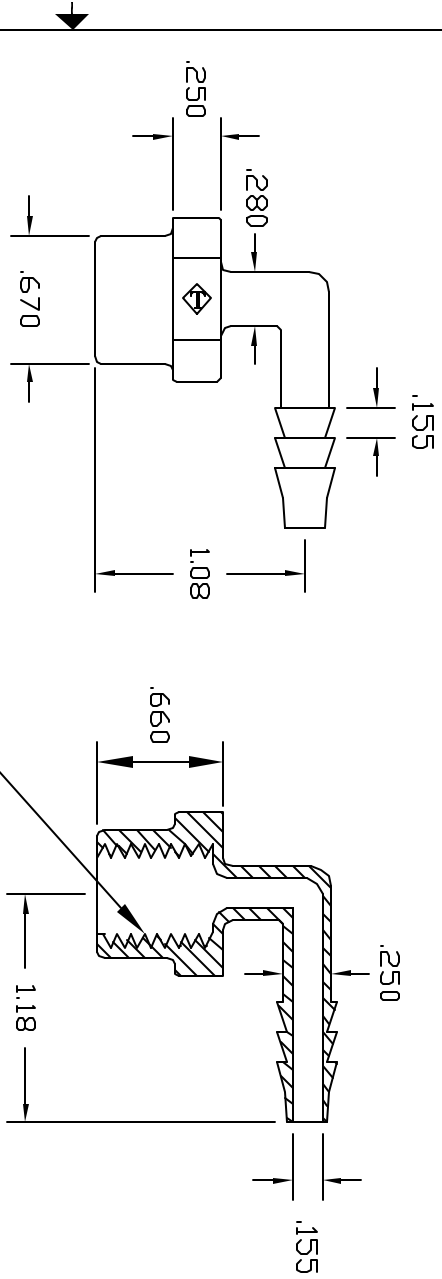


REVISIONS			
REV	DESCRIPTION	DATE	APPROVED
A	DRAWN	12/02	
B	ADD 3RD BARB CHANGE CENTERLINE	01/03	
C	UPDATE DWG	9/07	9/07



FEMALE 1/4-18" NPT

CONFIDENTIAL
 THIS PRINT AND THE SPECIFICATIONS ARE THE PROPERTY OF THOGUS PRODUCTS COMPANY AND HAVE BEEN ISSUED WITH THE UNDERSTANDING THAT REVEALMENT OF THE DESIGN OR THE MANUFACTURE FOR OTHERS AND WILL BE RETURNED UPON REQUEST.

UNLESS OTHERWISE SPECIFIED DIMENSIONS ARE IN INCHES		Part Name:	
TOLERANCES UNLESS SHOWN OTHERWISE		1/4 NPT FEMALE X 1/4 BARB FEMALE ELBOW	
XX +/- .05	YY +/- .05	Part Number:	TEF2044/N
XXX +/- .05	YY +/- .05	Material:	NYLON
DRAWN	BM	Part Number:	TEF2044/N
TEF2044N		Scale:	1:1
		Sheet:	1 of 1

THOGUS PRODUCTS
 33490 PIN DAK PARKWAY
 AYOON LAKE OHIO 44012

CONTROLLED DOCUMENT
 ONLY IF IN RED