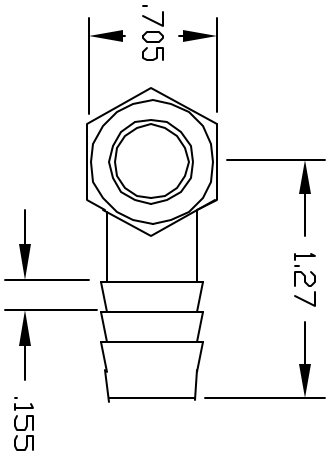
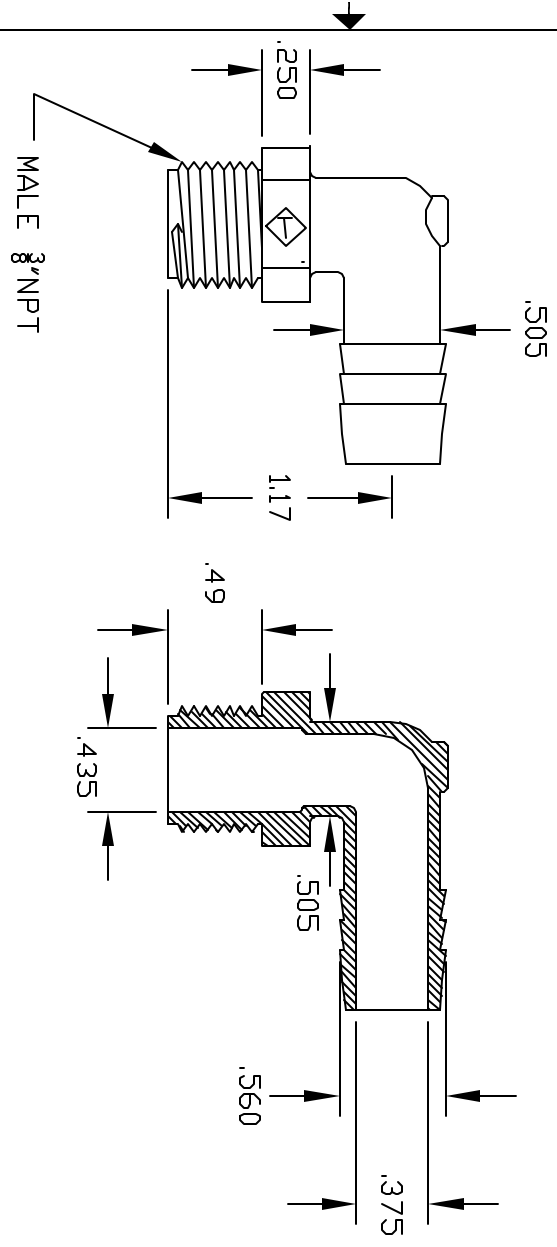


RENSKINS

REV	DESCRIPTION	DATE	APPROVED
A	REDRAWN & RELEASED	5/98	5/98
B	.545 to .550 ADD LEAD BARB	7/99	7/99
C	.500 TO .490 1.10 TO 1.26		
	UPDATED	02/24/00	BM



CONTROLLED DOCUMENT
ONLY IF IN RED

CONDONENTIAL
THIS PRINT AND THE SPECIFICATIONS ARE THE PROPERTY OF THOGUS PRODUCTS COMPANY AND HAVE BEEN ISSUED WITH THE UNDERSTANDING THAT IT IS NOT TO BE REPRODUCED OR TRANSMITTED IN ANY FORM OR BY ANY MEANS, ELECTRONIC OR MECHANICAL, INCLUDING PHOTOCOPYING, RECORDING, OR BY ANY INFORMATION STORAGE AND RETRIEVAL SYSTEM, WITHOUT PERMISSION IN WRITING FROM THOGUS PRODUCTS COMPANY. THIS DRAWING IS THE PROPERTY OF THOGUS PRODUCTS COMPANY AND WILL BE RETURNED UPON REQUEST.

UNLESS OTHERWISE SPECIFIED DIMENSIONS ARE IN INCHES		TOLERANCES UNLESS OTHERWISE SPECIFIED	
XX	+/-.05	YY	+/-.05
XXX	+/-.015		
DRAWN	DATE	Part Name:	
BM	8/98	3/8NPT X 1/2 BARB ELBOW	
DESIGNED		Part Number:	
ROGBN		TE2068/N	
MATERIAL		SCALE	1:1
NYLON		SHEET	1 of 1
THOGUS PRODUCTS		REV	C
33490 PIN DAK PARKWAY AVON LAKE OHIO 44012			

NOT BE REPRODUCED OR TRANSMITTED IN ANY FORM OR BY ANY MEANS, ELECTRONIC OR MECHANICAL, INCLUDING PHOTOCOPYING, RECORDING, OR BY ANY INFORMATION STORAGE AND RETRIEVAL SYSTEM, WITHOUT PERMISSION IN WRITING FROM THOGUS PRODUCTS COMPANY.