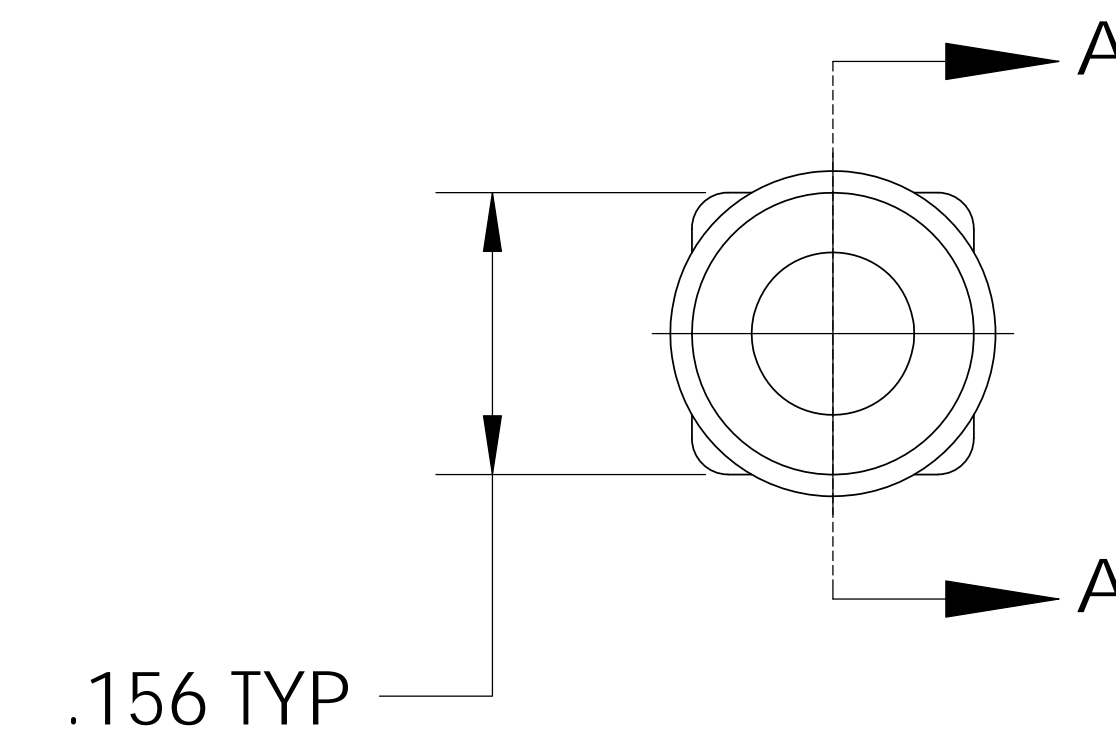
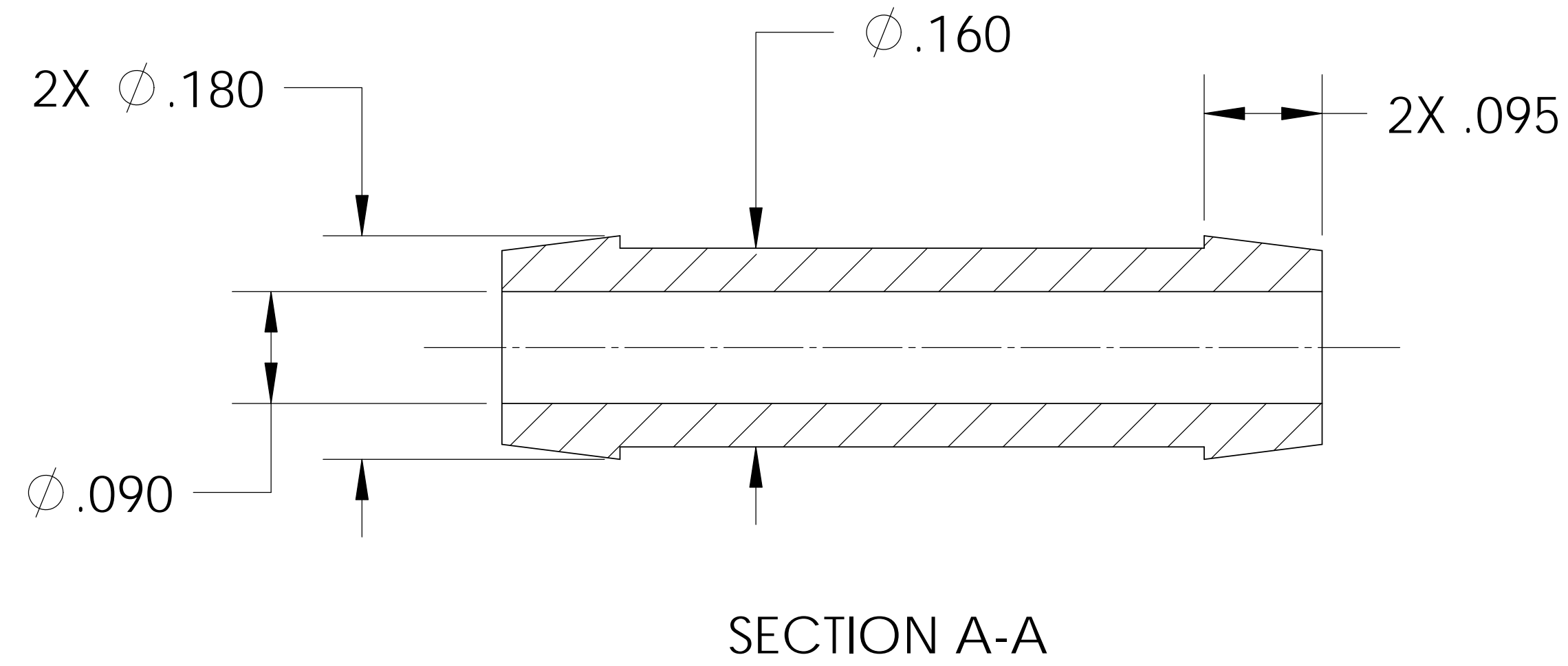
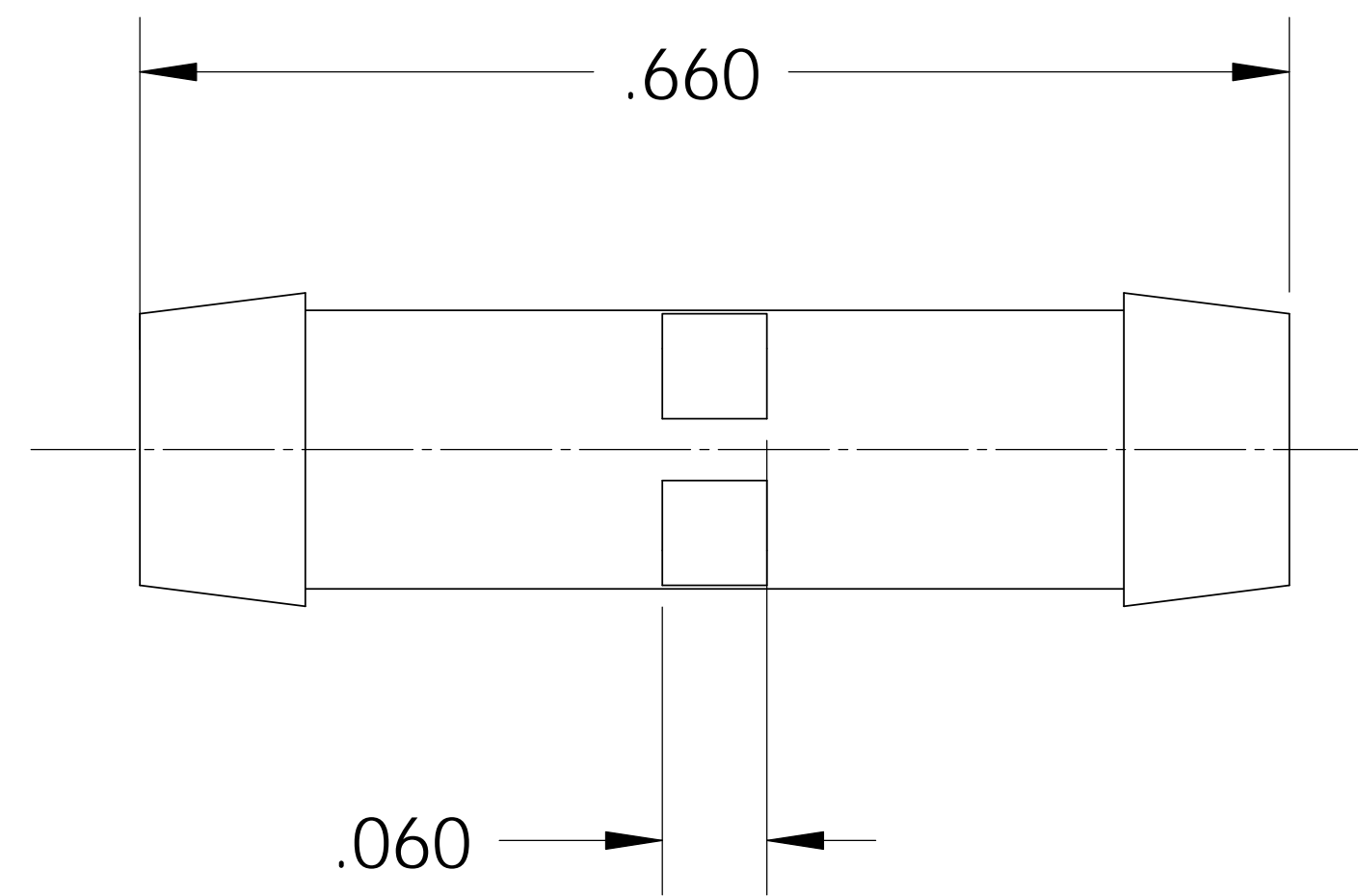
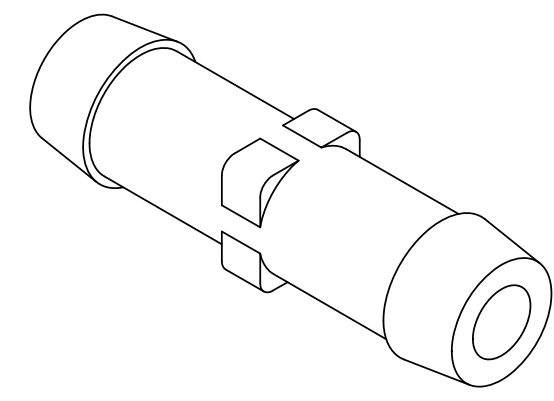


UNCONTROLLED IF PRINTED; CONTROLLED DOCUMENT LOCATED IN IQMS DOCUMENT CONTROL



NOTES:

- 1) POLYPROPYLENE HAS COLOR OPTIONS:  
 BLACK = TC7022/PPB  
 NATURAL = TC7022/PPN

**PROPRIETARY AND CONFIDENTIAL**  
 THE INFORMATION CONTAINED IN THIS DRAWING IS THE SOLE PROPERTY OF THOGUS PRODUCTS COMPANY. ANY REPRODUCTION IN PART OR AS A WHOLE WITHOUT THE WRITTEN PERMISSION OF THOGUS PRODUCTS COMPANY IS PROHIBITED.

REV	WRO#	DESCRIPTION
D	95.00041	CONVERTED TO 3D FORMAT
HISTORY		

UNLESS OTHERWISE SPECIFIED:  
 DIMENSIONS ARE IN INCHES  
 TOLERANCES:  
 ANGULAR: ±0.5°  
 X.X = ± 0.1  
 X.XX = ± 0.05  
 X.XXX = ± 0.015  
 REMOVE ALL SHARP EDGES AND BURRS  
 BLEND ALL RADII TO 0.01IN  
 INTERPRET GEOMETRIC TOLERANCING PER: ANSI Y 14.5 1994  
 MATERIAL: PP, P, N, K  
 FINISH: NA  
 THIRD ANGLE PROJECTION:

	NAME	DATE
DRAWN	KDJ	10/08/10
CHECKED	KDJ	10/8/10
ENG APPR.		XX/XX/XX
MFG APPR.		XX/XX/XX
Q.A.		XX/XX/XX

**Thogus** You think it, we can make it...  
 33490 PIN OAK, AVON LAKE, OH 44012

TITLE: **BARB CONNECTOR, 1/8" X 1/8"**

SIZE <b>B</b>	DWG. NO. <b>TC7022</b>	REV <b>D</b>
SCALE: 4:1	MASS:	SHEET 1 OF 1

SHOWN

CATALOG NO.	DESCRIPTION	MATERIAL
TC7022/PP	1/8 X 1/8 PP	POLYPROPYLENE
TC7022/P	1/8 X 1/8 P	POLYETHYLENE
TC7022/N	1/8 X 1/8 N	NYLON
TC7022/K	1/8 X 1/8 K	KYNAR

DO NOT SCALE DRAWING