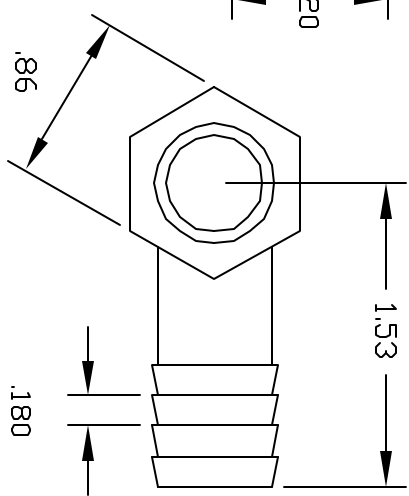
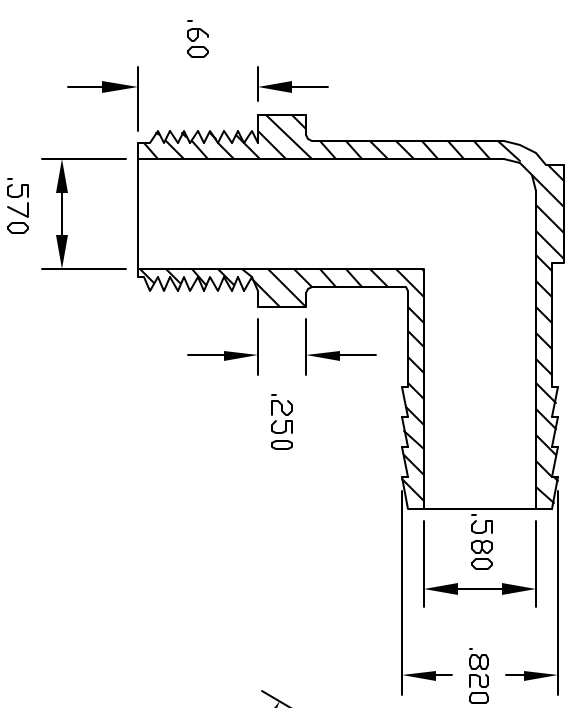
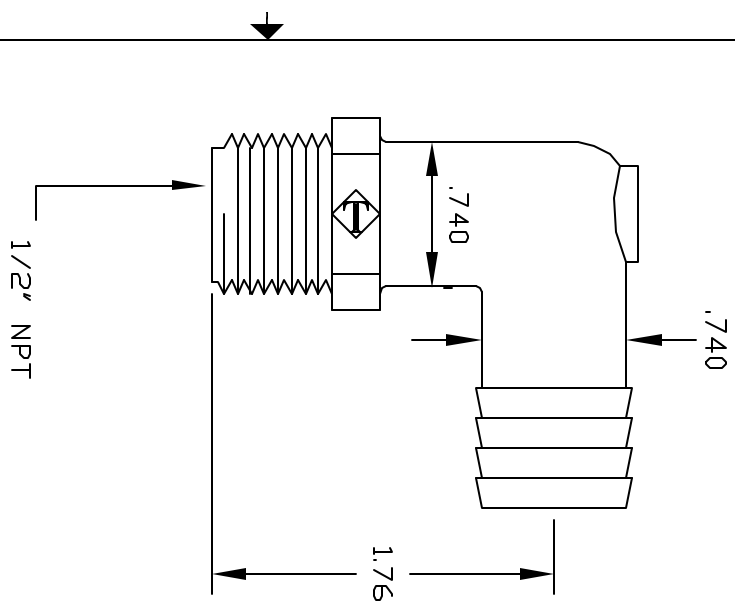


REVISIONS			
REV	DESCRIPTION	DATE	APPROVED
A	REDRAWN & RELEASED	4/97	4/97
B	UPDATE DWG	9/07	9/07



CONTROLLED DOCUMENT
ONLY IF IN RED

CONFIDENTIAL
THIS PRINT AND THE SPECIFICATIONS ARE THE PROPERTY OF THOGUS PRODUCTS COMPANY AND HAVE BEEN ISSUED WITH THE UNDERSTANDING THAT IT IS TO BE USED FOR THE MANUFACTURE OF THE PARTS AND WILL BE RETURNED UPON REQUEST.

UNLESS OTHERWISE SPECIFIED DIMENSIONS ARE IN INCHES		TOLERANCES	
XXXX	+/-.05	XXXX	+/-.05
DRAWN	NM	DATE	4/97
CHECKED			
MATERIAL	NYLON	Part Number	TE20812L/N
Part Name	1/2 NPT X 3/4 BARB ELBOW LONG		
THOGUS PRODUCTS		33490 PIN DAK PARKWAY AYDON LAKE OHIO 44012	
SCALE	1:1	SHEET	1 of 1
REV	B	REV	

THE INFORMATION CONTAINED HEREIN IS UNCLASSIFIED