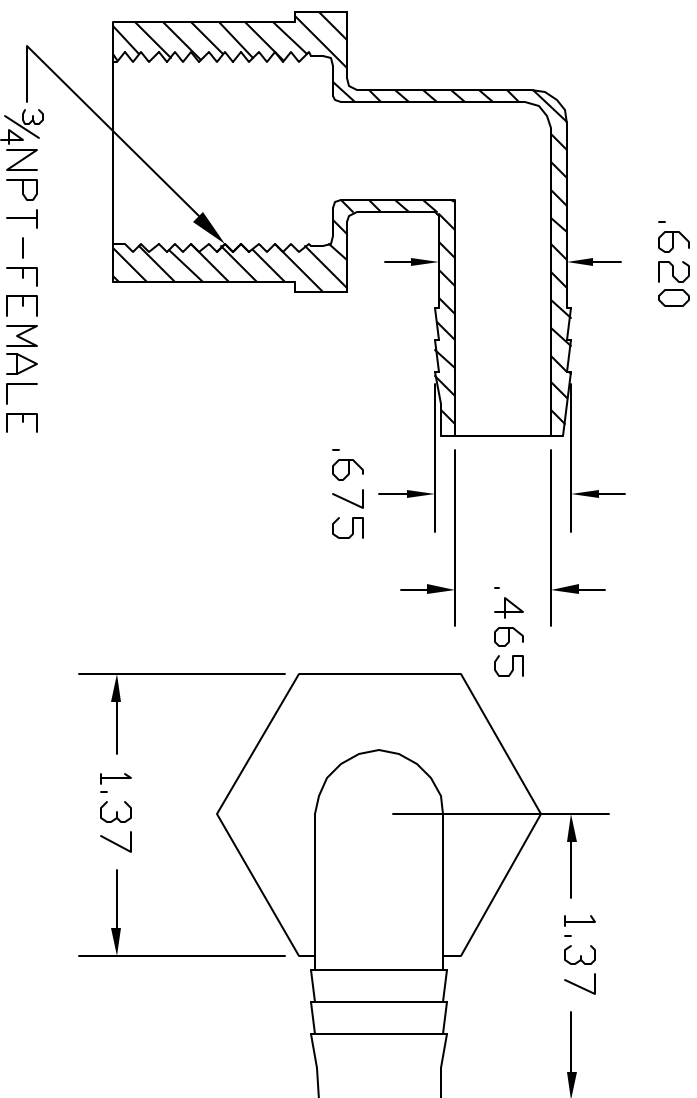
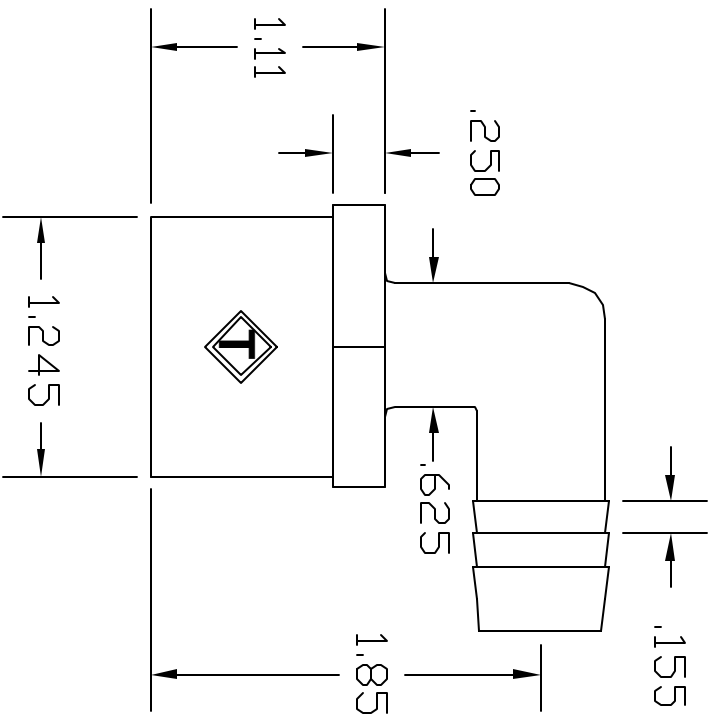


REV	DESCRIPTION	DATE	APPROVED
A	DRAWN	1/30/06	1/30/06
B	UPDATE DWG	9/07	9/07



**CONFIDENTIAL**  
 THIS PRINT AND THE SPECIFICATIONS ARE THE PROPERTY OF THOGUS PRODUCTS COMPANY AND HAVE BEEN ISSUED WITH THE UNDERSTANDING THAT IT WILL NOT BE REPRODUCED, REVEALED TO OR USED FOR THE MANUFACTURE FOR OTHERS AND WILL BE RETURNED UPON REQUEST.

UNLESS OTHERWISE SPECIFIED DIMENSIONS ARE IN INCHES	
TOLERANCES	ANGULAR
DECIMALS	+/-0.05
.XXX	+/-0.015
DRAWN	DATE
BM	1/06
THOGUS	TEF201210/N
MATERIAL	NYLON

PART NAME		3/4-14NPT FEMALE X 5/8 BARB FEMALE ELBOW	
THOGUS PRODUCTS		33450 PIN OAK PARKWAY AVON LAKE OHIO 44012	
PART NUMBER	TEF201210/N	REV	B
SHEET	1	OF	1

CONTROLLED DOCUMENT  
 ONLY IF IN RED