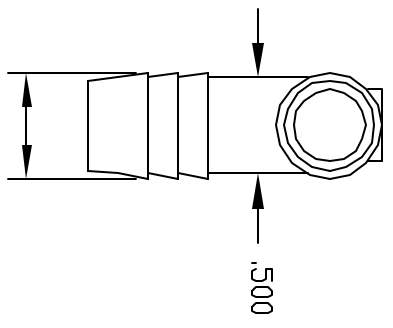
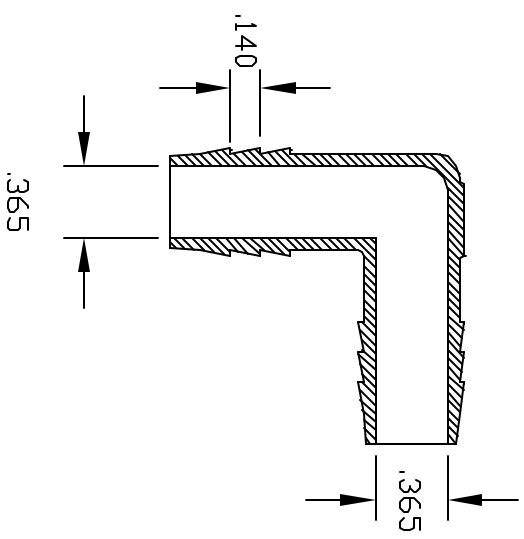
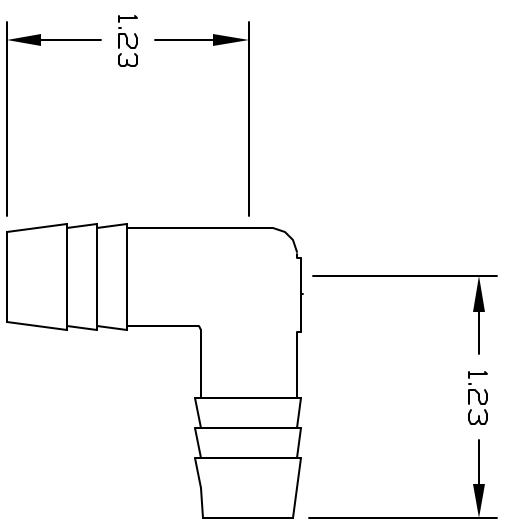


REVISIONS			
REV	DESCRIPTION	DATE	APPROVED
B	.375 GATE PAD WAS	.187 3/98	3/98
C	5° ADDED .468 WAS	.500 4/98	4/98
D	REDRAWN-UPDATED	02/01/00	BM



CONTROLLED DOCUMENT  
ONLY IF IN RED

**CONFIDENTIAL**  
THIS PRINT AND THE SPECIFICATIONS ARE THE PROPERTY OF THOGUS PRODUCTS COMPANY AND HAVE BEEN ISSUED WITH THE UNDERSTANDING THAT ALL INFORMATION CONTAINED HEREIN IS TO BE KEPT FOR THE MANUFACTURE OF THIS PRODUCT AND WILL BE RETURNED UPON REQUEST.

UNLESS OTHERWISE SPECIFIED DIMENSIONS ARE IN INCHES		TOLERANCES UNLESS OTHERWISE SPECIFIED	
XX	+/- .05	XX	+/- .05
XXX	+/- .015	XXX	+/- .015
DRAWN	NM	DATE	4/98
DESIGNED	2088-TP	MATERIAL	POLYETHYLENE
PART NAME: 1/2 BARB X 1/2 BARB ELBOW		Part Number	TE2088-T/P
THOGUS PRODUCTS		33490 PIN DAK PARKWAY	AVON LAKE OHIO 44012
REV	D	SHEET	1 of 1