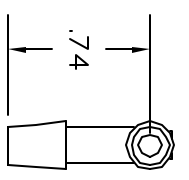
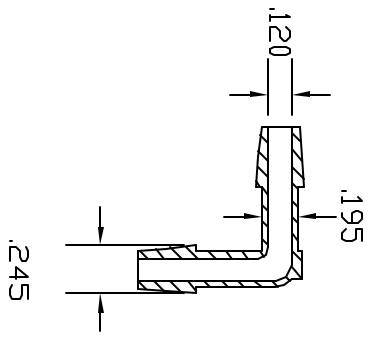
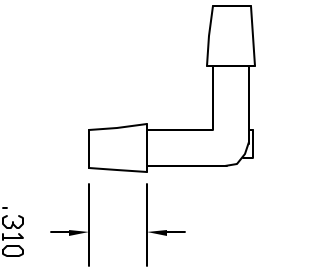


REV	DESCRIPTION	DATE	APPROVED
A	DRAWN	12/02	12/02



COLOR: BLACK (PPB)  
 NATURAL (PPN)

CONTROLLED DOCUMENT  
 ONLY IF IN RED

**CONFIDENTIAL**

THIS PRINT AND THE SPECIFICATIONS ARE THE PROPERTY OF THOGUS PRODUCTS COMPANY AND HAVE BEEN ISSUED WITH THE UNDERSTANDING THAT IT WILL NOT BE REPRODUCED, REVEALED TO OR USED FOR THE MANUFACTURE FOR OTHERS AND WILL BE RETURNED UPON REQUEST.

UNLESS OTHERWISE SPECIFIED DIMENSIONS ARE IN INCHES  
 DECIMALS TOLERANCES ANGULAR  
 XX +/--.05 +/--.05  
 .XXX +/--.015

filenome: 2033-TPP  
 DRAWN BM DATE 01/00  
 MATERIAL POLYPROPYLENE

PART NAME:  
 3/16 BARB X 3/16 BARB ELBOW

**THOGUS PRODUCTS**  
 33490 PIN OAK PARKWAY  
 AVON LAKE OHIO 44012

PART NUMBER  
 TE2033-T/PP

SCALE 1:1 SHEET 1 OF 1

REV A