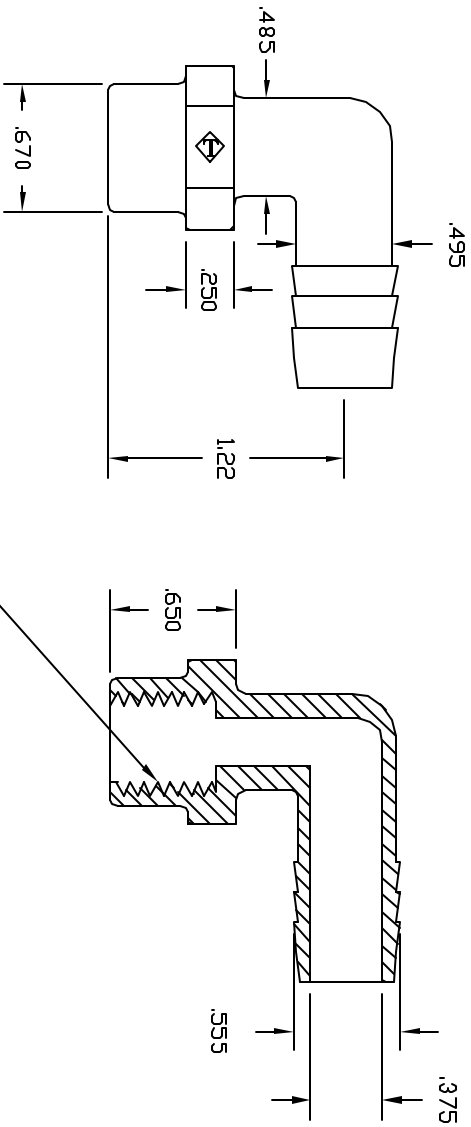


| REVISIONS | | | |
|-----------|------------------|-------|----------|
| REV | DESCRIPTION | DATE | APPROVED |
| A | DRAWN & RELEASED | 04/02 | 04/02 |
| B | UPDATE DWG | 9/07 | 9/07 |



FEMALE 1/4-18* NPT

CONTROLLED DOCUMENT
ONLY IF IN RED

CONFIDENTIAL
THIS PRINT AND THE SPECIFICATIONS ARE THE PROPERTY OF THOGUS PRODUCTS COMPANY AND HAVE BEEN ISSUED WITH THE UNDERSTANDING THAT ALL INFORMATION CONTAINED HEREIN IS UNCLASSIFIED AND THE DESIGN AND MANUFACTURE FOR OTHERS AND WILL BE RETURNED UPON REQUEST.

UNLESS OTHERWISE SPECIFIED
DIMENSIONS ARE IN INCHES
TOLERANCES UNLESS SHOWN
XX +/- .05
XXX +/- .015
DRAWN BM
MATERIAL NYLON

Part Name: 1/4NPT FEMALE X1/2 BARB FEMALE ELBOW
Part Number: TEF2048/N
Scale: 1:1
SHEET 1 of 1
REV B

THOGUS PRODUCTS
33490 PIN DAK PARKWAY
AVON LAKE OHIO 44012

THOGUS PRODUCTS COMPANY
33490 PIN DAK PARKWAY
AVON LAKE, OHIO 44012
TEL: 440.933.1234 FAX: 440.933.1235
WWW.THOGUS.COM