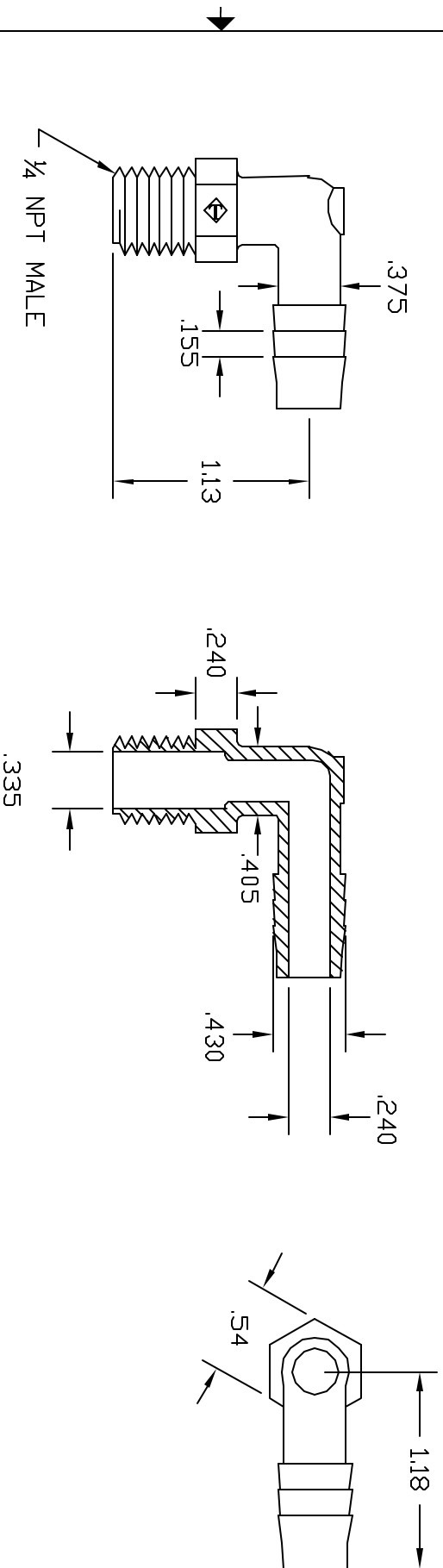


REVISIONS			
REV	DESCRIPTION	DATE	APPROVED
A	REDRAWN & RELEASED	9/97	9/97
B	Corrected Dim. .250 was .300 and added .281	7/99	7/99
C	MODIFY BARBS	12/02	12/02



CONTROLLED DOCUMENT
ONLY IF IN RED

THIS PRINT AND THE SPECIFICATIONS ARE THE PROPERTY OF THOGUS PRODUCTS COMPANY AND HAVE BEEN ISSUED WITH THE UNDERSTANDING THAT REPRODUCTION AND USE FOR OTHER MANUFACTURE FOR OTHERS AND WILL BE RETURNED UPON REQUEST.

UNLESS OTHERWISE SPECIFIED DIMENSIONS ARE IN INCHES		DRAWN		DATE	
TOLERANCES		NM		9/97	
XX +/- .05					
XX +/- .05					
XXX +/- .05					
MATERIAL		CHECKED		DATE	
POLYETHYLENE		E2046P		9/97	
Part Name		Part Number		REV	
1/4NPT X 3/8 BARB ELBOW		TE2046/P		C	
THOGUS PRODUCTS		33490 PIN DAK PARKWAY			
		AYDON LAKE OHIO 44012			
SCALE 1:1		SHEET 1 of 1			