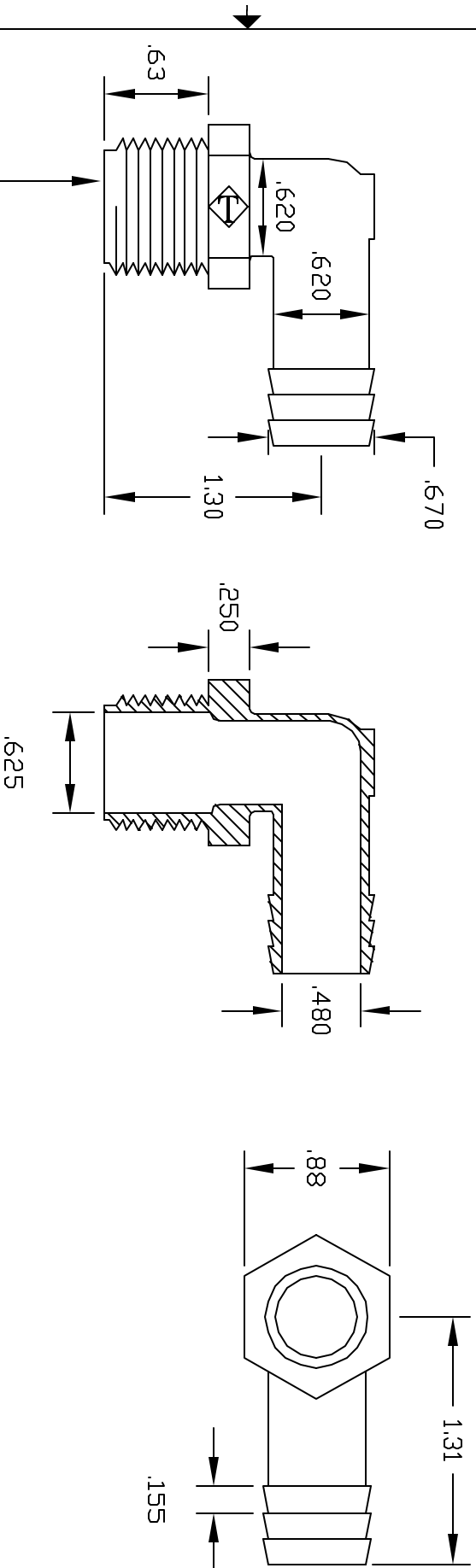


REVISIONS			
REV	DESCRIPTION	DATE	APPROVED
A	REDRAWN & RELEASED	4/97	4/97
B	DIM 0.590 REMOVED	01/06/2000	BM
C	UPDATE DWG	9/07	9/07



CONTROLLED DOCUMENT  
ONLY IF IN RED

THIS PRINT AND THE SPECIFICATIONS ARE THE PROPERTY OF THOGUS PRODUCTS COMPANY AND HAVE BEEN ISSUED WITH THE UNDERSTANDING THAT THE USER WILL BE RESPONSIBLE FOR THE MANUFACTURE FOR OTHERS AND WILL BE RETURNED UPON REQUEST.

UNLESS OTHERWISE SPECIFIED DIMENSIONS ARE IN INCHES		TOLERANCES	
FRACTIONS		DECIMALS	
XX +/- .05		XX +/- .05	
XXX +/- .015		XXX +/- .015	
DRAWN	NM	DATE	
PART NUMBER		THOGUS PRODUCTS	
20810SN		33490 PIN DAK PARKWAY	
MATERIAL		AYDON LAKE OHIO 44012	
NYLON			
SCALE	1:1	SHEET	1 of 1
REV	C	REV	