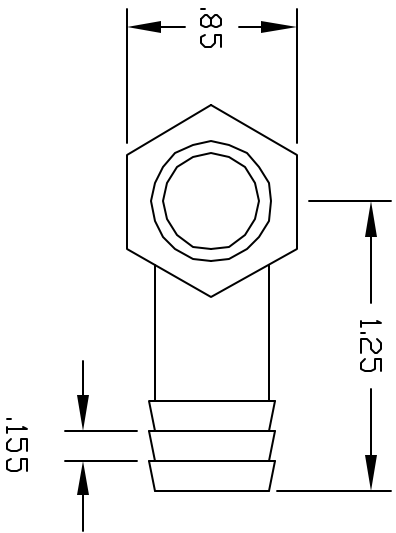
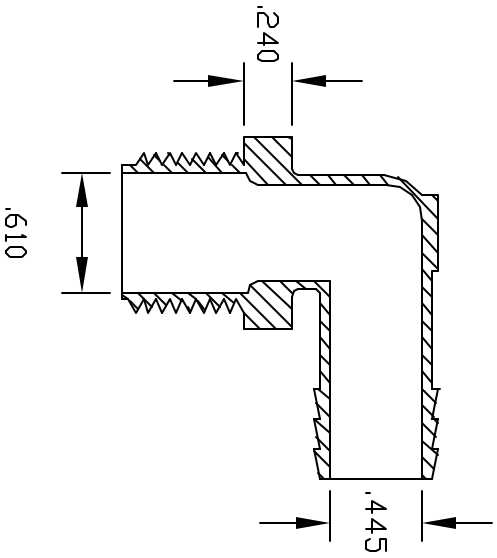
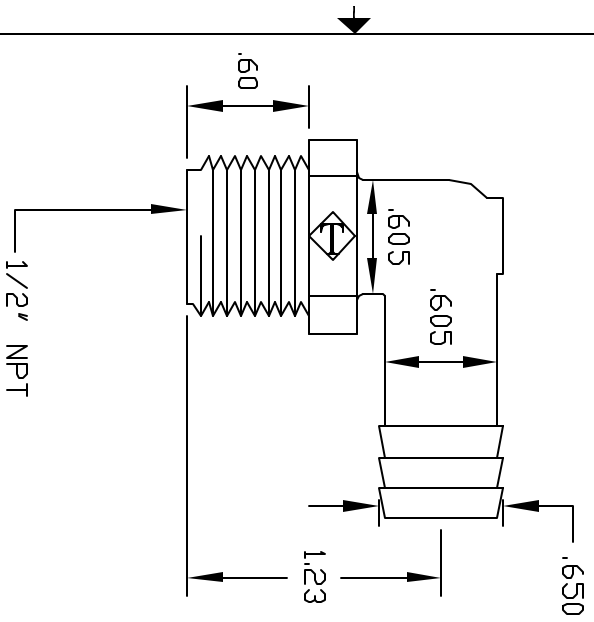


REVISIONS				
ZINC	REV	DESCRIPTION	DATE	APPROVED
	A	REDRAWN & RELEASED	4/97	4/97
	B	DIM 0.590 REMOVED	01/06/2000	BM



CONTROLLED DOCUMENT  
ONLY IF IN RED

CONFIDENTIAL  
THIS PRINT AND THE SPECIFICATIONS ARE THE PROPERTY OF THOGUS PRODUCTS COMPANY AND HAVE BEEN ISSUED WITH THE UNDERSTANDING THAT IT IS TO BE KEPT FOR THE MANUFACTURE OF THIS PRODUCT AND WILL BE RETURNED UPON REQUEST.

UNLESS OTHERWISE SPECIFIED  
DIMENSIONS ARE IN INCHES  
TOLERANCES UNLESS SHOWN  
XX +/- .05  
XXX +/- .015  
DRAWN NM DATE  
MATERIAL POLYETHYLENE  
PART NUMBER 20810SP

Part Name: 1/2NPT X 5/8 BARB ELBOW  
THOGUS PRODUCTS 33490 PIN DAK PARKWAY  
AVON LAKE OHIO 44012  
SCALE 1:1 SHEET 1 of 1  
REV B

ALL DIMENSIONS ARE GIVEN UNLESS OTHERWISE SPECIFIED