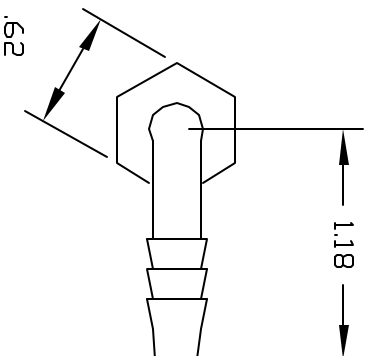
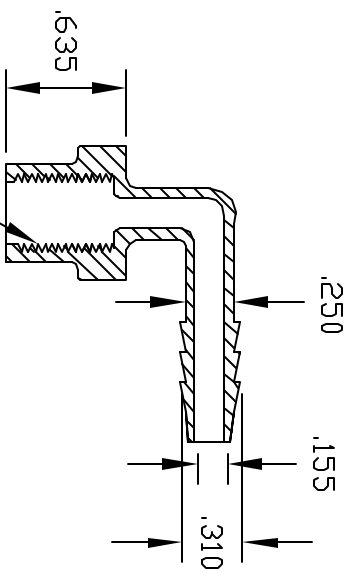
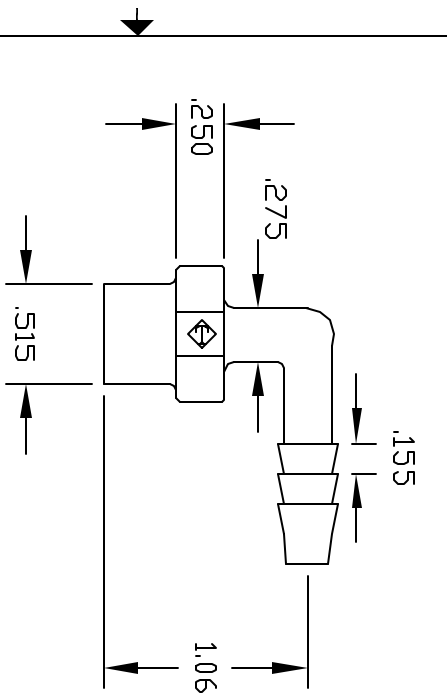


REVISIONS			
REV	DESCRIPTION	DATE	APPROVED
A	DRAWN	12/02	



CONTROLLED DOCUMENT
ONLY IF IN RED

CONFORMANCE
THIS PRINT AND THE SPECIFICATIONS ARE THE PROPERTY OF THOGUS PRODUCTS COMPANY AND HAVE BEEN ISSUED WITH THE UNDERSTANDING THAT REVISIONS WILL BE MADE AS NECESSARY TO REVEAL AND CORRECT DEFECTS IN THE MANUFACTURE OF THIS PART. IT WILL BE RETURNED UPON REQUEST.

UNLESS OTHERWISE SPECIFIED DIMENSIONS ARE IN INCHES TOLERANCES XX +/- .05 XXX +/- .015	DRAWN BM	MATERIAL POLYPROPYLENE	Part Name 1/8 NPT FEMALE X 1/4 BARB FEMALE ELBOW
THOGUS PRODUCTS 33597 PIN DAK PARKWAY AVON LAKE OHIO 44012	Part Number TEF2024/PPB	SCALE 1:1	Part Number TEF2024/PPB
		SHEET 1 of 1	REV A