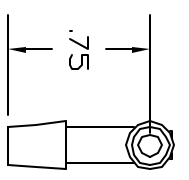
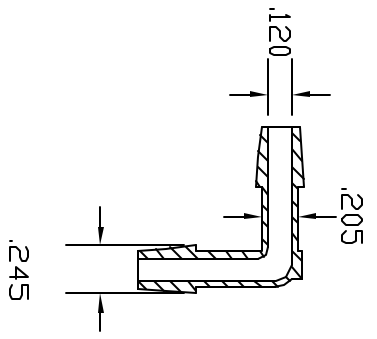
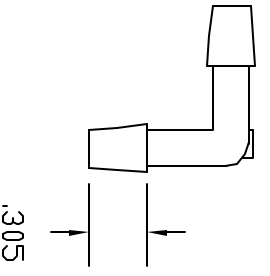


REV	DESCRIPTION	DATE	APPROVED
A	DRAWN	12/02	12/02



UNLESS OTHERWISE SPECIFIED
DIMENSIONS ARE IN INCHES
TOLERANCES
DECIMALS XX +/--.05 ANGLULAR .XXX +/--.015

DRAWN BM DATE 01/00

file name: 2033-TP
MATERIAL POLYETHYLENE

PART NAME:
3/16 X 3/16 ELBOW-BARBED ON BOTH ENDS

THOGUS PRODUCTS
33490 PIN OAK PARKWAY
AVON LAKE OHIO 44012

PART NUMBER TE2033-T/P
SCALE 1:1 SHEET 1 OF 1
REV A

CONFIDENTIAL
THIS PRINT AND THE SPECIFICATIONS ARE THE PROPERTY OF THOGUS PRODUCTS COMPANY AND HAVE BEEN ISSUED WITH THE UNDERSTANDING THAT IT WILL NOT BE REPRODUCED, REVEALED TO OR USED FOR THE MANUFACTURE FOR OTHERS AND WILL BE RETURNED UPON REQUEST.