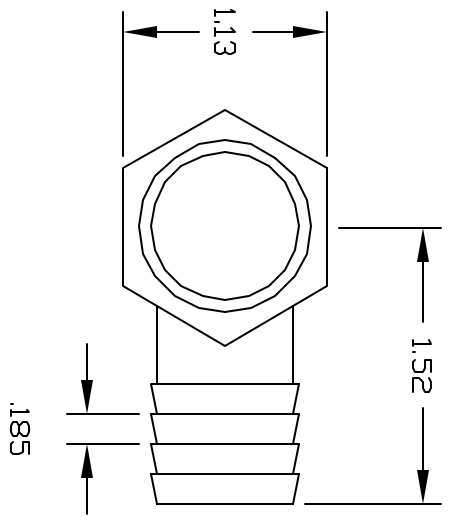
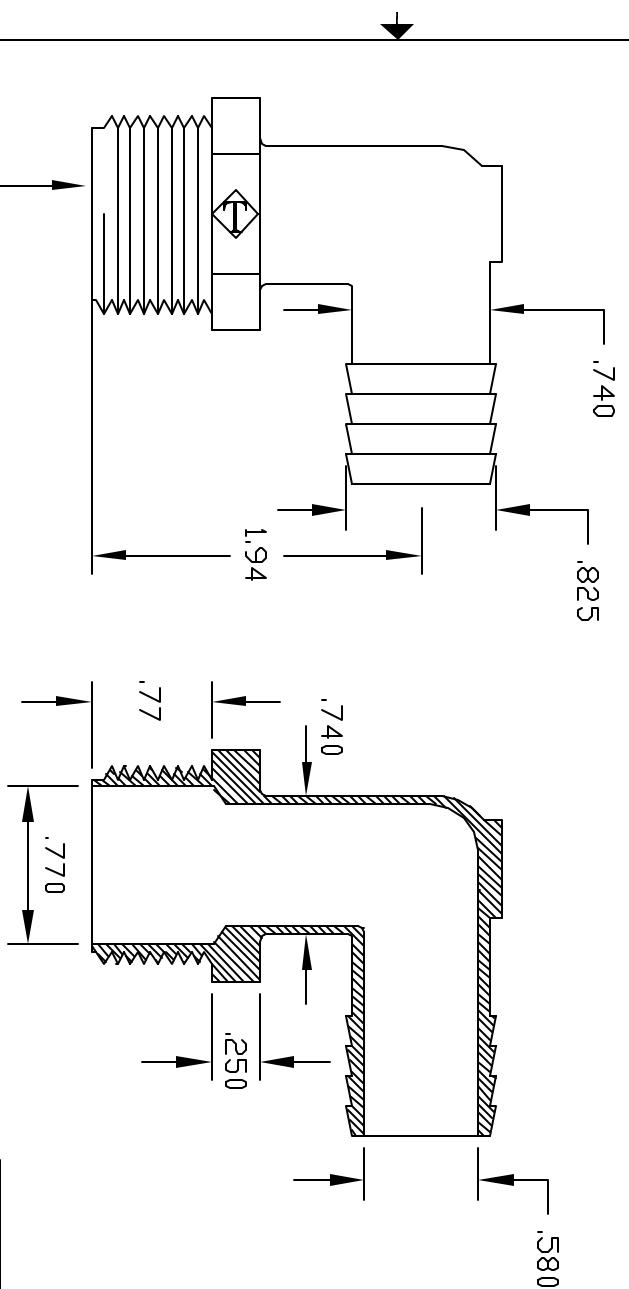


REVISIONS			
REV	DESCRIPTION	DATE	APPROVED
A	DRAWN & RELEASED	2/98	2/98
B	GATE PAD ADDED	6/98	6/98
C	.740 WAS .725 .820 WAS .805 .250 WAS .25 1.130 WAS 1.13	1/00	BM
D	UPDATE DWG	9/07	9/07



3/4" NPT

CONTROLLED DOCUMENT
ONLY IF IN RED

CONFIDENTIAL

THIS PRINT AND THE SPECIFICATIONS ARE THE PROPERTY OF THOGUS PRODUCTS COMPANY AND HAVE BEEN ISSUED WITH THE UNDERSTANDING THAT IT IS TO BE USED FOR THE MANUFACTURE OF THIS PART ONLY. IT IS TO BE RETURNED UPON REQUEST.

UNLESS OTHERWISE SPECIFIED DIMENSIONS ARE IN INCHES		TOLERANCES	
FINISH	XX +/- .05	XX +/- .05	XX +/- .05
DRAWN	NM	DATE	
DESIGNED	201212N		
MATERIAL	NYLON	Part Number	TE201212/N
SCALE		SHEET	1 of 1
Part Name 3/4NPT X 3/4 BARB ELBOW		REV D	
THOGUS PRODUCTS 33490 PIN DAK PARKWAY AYDON LAKE OHIO 44012			