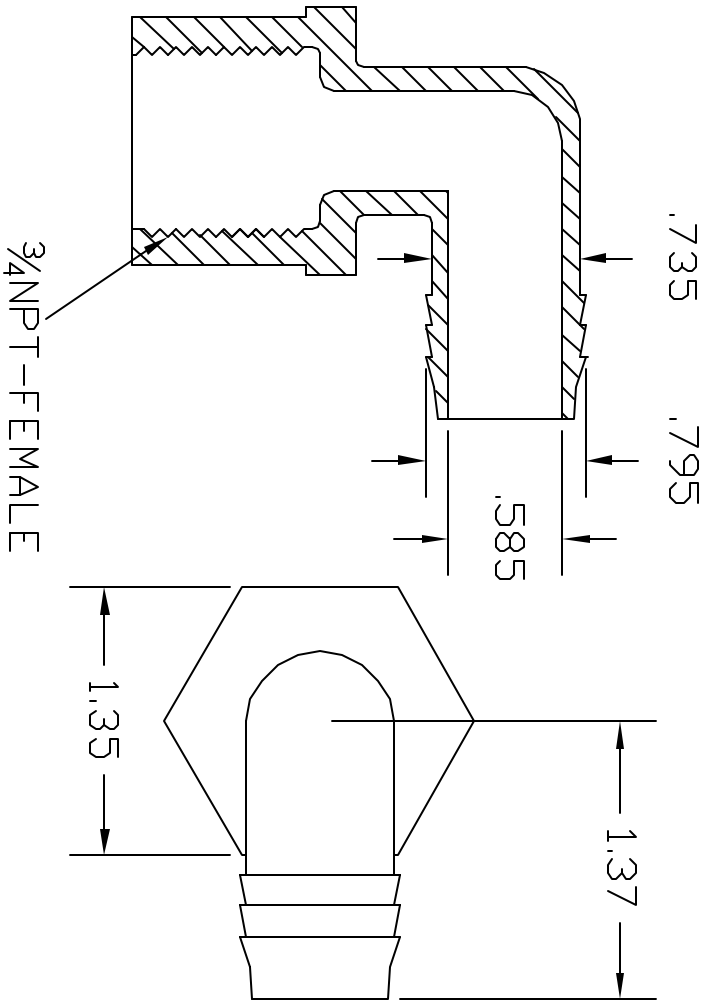
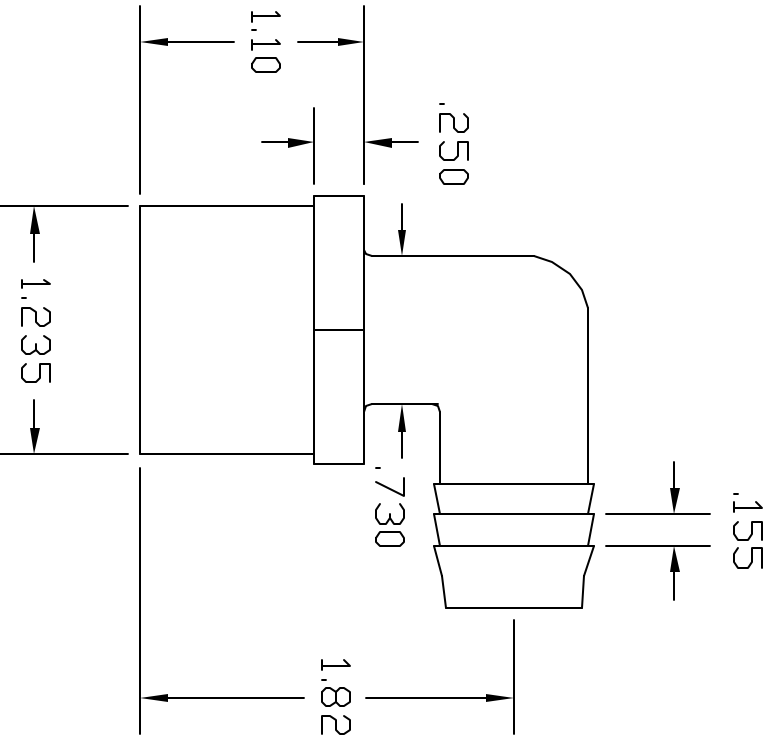


REV	DESCRIPTION	DATE	APPROVED
A	REDRAWN AND RELEASED	1/98	1/98
B	MODIFY BARB & HEX	01/30/06	01/30/06



CONTROLLED DOCUMENT  
ONLY IF IN RED

**CONFIDENTIAL**

THIS PRINT AND THE SPECIFICATIONS ARE THE PROPERTY OF THOGUS PRODUCTS COMPANY AND HAVE BEEN ISSUED WITH THE UNDERSTANDING THAT IT WILL NOT BE REPRODUCED, REVEALED TO OR USED FOR THE MANUFACTURE FOR OTHERS AND WILL BE RETURNED UPON REQUEST. ♦

UNLESS OTHERWISE SPECIFIED  
DIMENSIONS ARE IN INCHES  
TOLERANCES  
DECIMALS  
XX +/- .05  
XXX +/- .015  
ANGULAR  
+/- .05

DRAWN **BM** | DATE 1/12/06

Material: TEF201212PPB

MATERIAL POLYPROPYLENE BLK

PART NAME: 3/4-14NPT X 3/4 HOSE BARB  
FEMALE ELBOW

**THOGUS PRODUCTS**  
33597 PIN OAK PARKWAY  
AVON LAKE OHIO 44012

PART NUMBER TEF201212/PPB

SCALE 1:1 | SHEET 1 OF 1

REV **B**