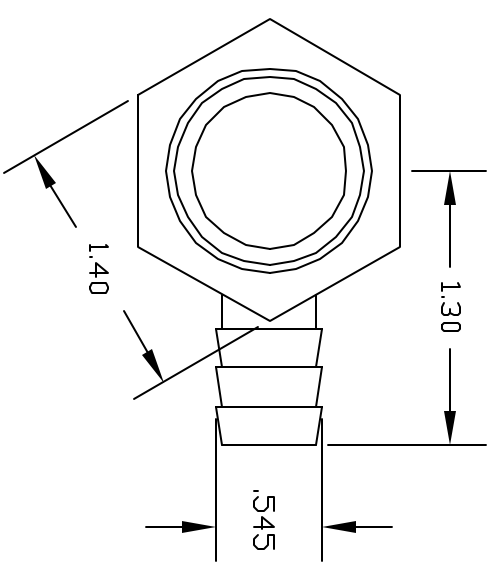
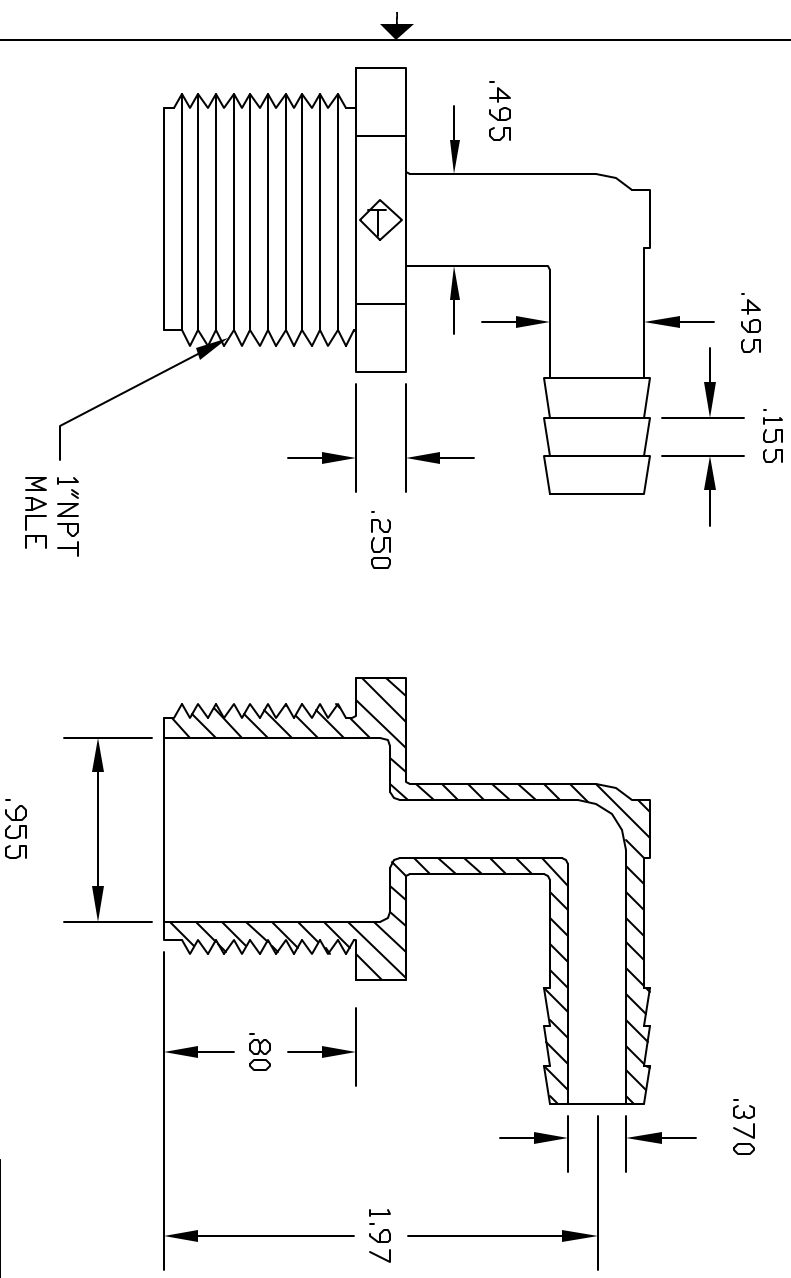


REVISIONS			
REV	DESCRIPTION	DATE	APPROVED
A	DRAWN & RELEASED	5/98	5/98
B	GATE PAD ADDED	9/98	9/98
C	UPDATE DWG	9/07	9/07



CONTROLLED DOCUMENT
ONLY IF IN RED

CONFIDENTIAL
THIS PRINT AND THE SPECIFICATIONS ARE THE PROPERTY OF THOGUS PRODUCTS COMPANY AND HAVE BEEN ISSUED WITH THE UNDERSTANDING THAT REVELATION OF THE DESIGN OR THE MANUFACTURE FOR OTHERS AND WILL BE RETURNED UPON REQUEST.

UNLESS OTHERWISE SPECIFIED DIMENSIONS ARE IN INCHES		TOLERANCES UNLESS SHOWN	
XXX	+/- .05	XX	+/- .05
XXX	+/- .015	XX	+/- .015
DRAWN	NM	FIELDWORK	20168N
MATERIAL	NYLON	Part Name	1 NPT X 1/2 BARB ELBOW
SCALE	1:1	Part Number	TE20168/N
THOGUS PRODUCTS		33490 PIN DAK PARKWAY AYDON LAKE OHIO 44012	
REV	C	SHEET	1 of 1

THOGUS PRODUCTS COMPANY, 33490 PIN DAK PARKWAY, AYDON LAKE, OHIO 44012