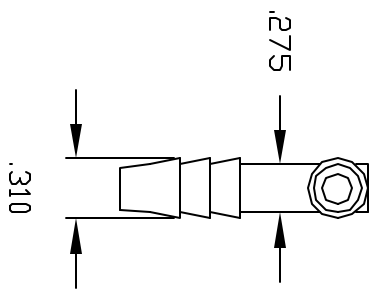
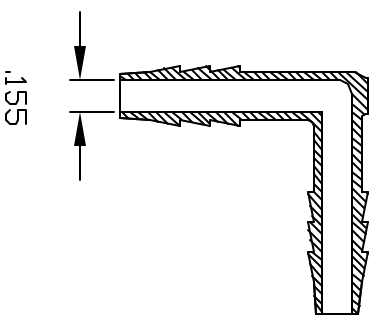
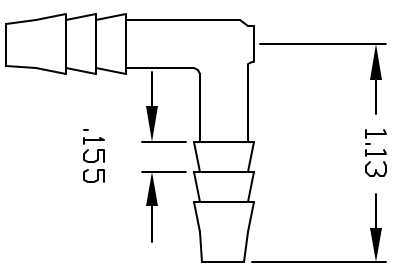


REVISIONS			
REV	DESCRIPTION	DATE	APPROVED
D	UPDATE DWG	9/00	9/00
E	UPDATE DWG	9/07	9/07



UNLESS OTHERWISE SPECIFIED DIMENSIONS ARE IN INCHES		Part Name: 1/4 BARB X 1/4 BARB ELBOW	
DECIMALS XX +/- .05	FRACTIONS 1/4	DATE	REV
XXX +/- .015	1/4		E
DRAWN NM	MATERIAL NYLON	Part Number: TE2044-T/N	SHEET 1 of 1
THIS PRINT AND THE SPECIFICATIONS ARE THE PROPERTY OF THOGUS PRODUCTS COMPANY AND HAVE BEEN ISSUED WITH THE UNDERSTANDING THAT REPRODUCTION OF THIS DRAWING FOR ANY OTHER MANUFACTURE OR REUSE FOR OTHERS AND WILL BE RETURNED UPON REQUEST.	THOGUS PRODUCTS 33490 PIN DAK PARKWAY AYDON LAKE OHIO 44012		

CONTROLLED DOCUMENT
ONLY IF IN RED