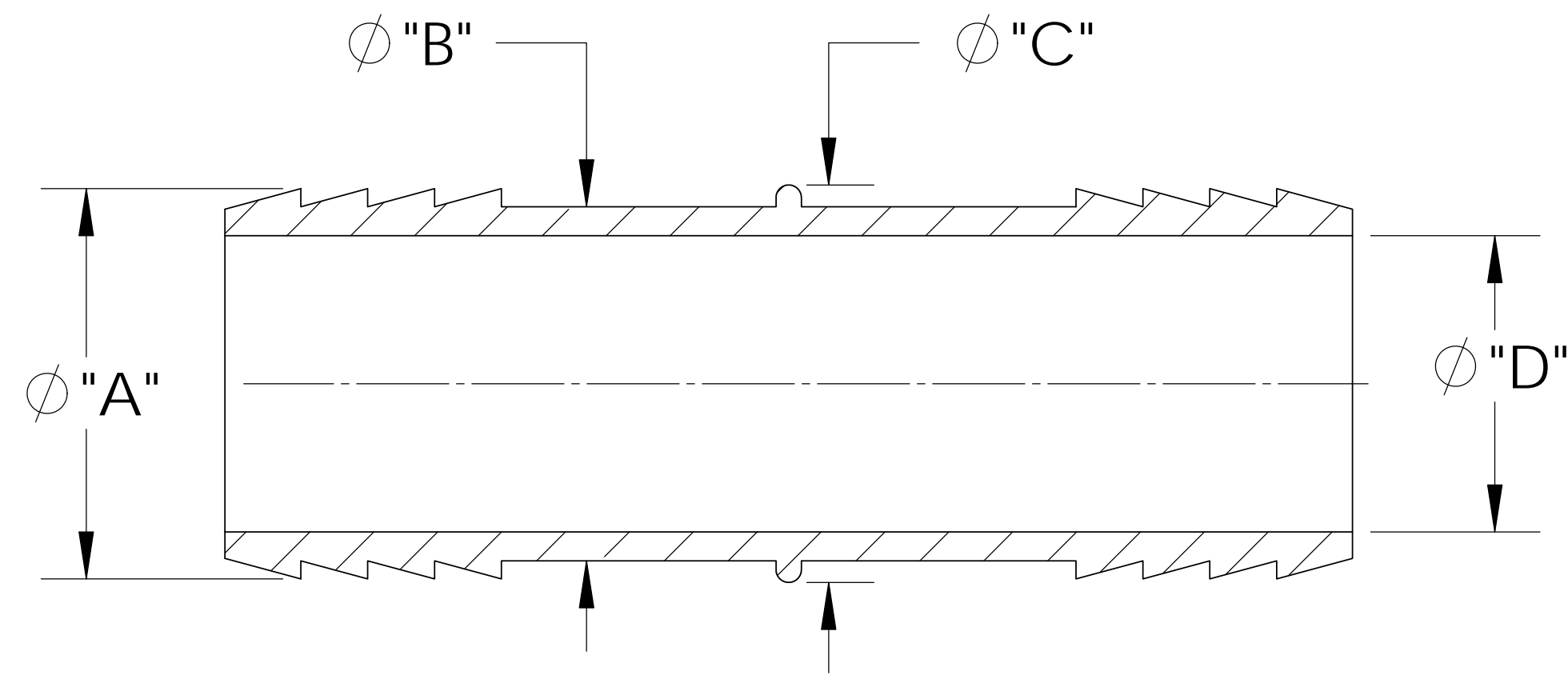
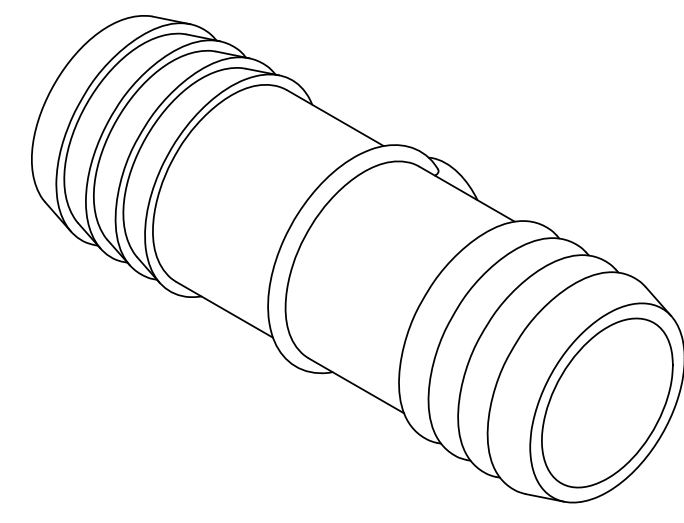
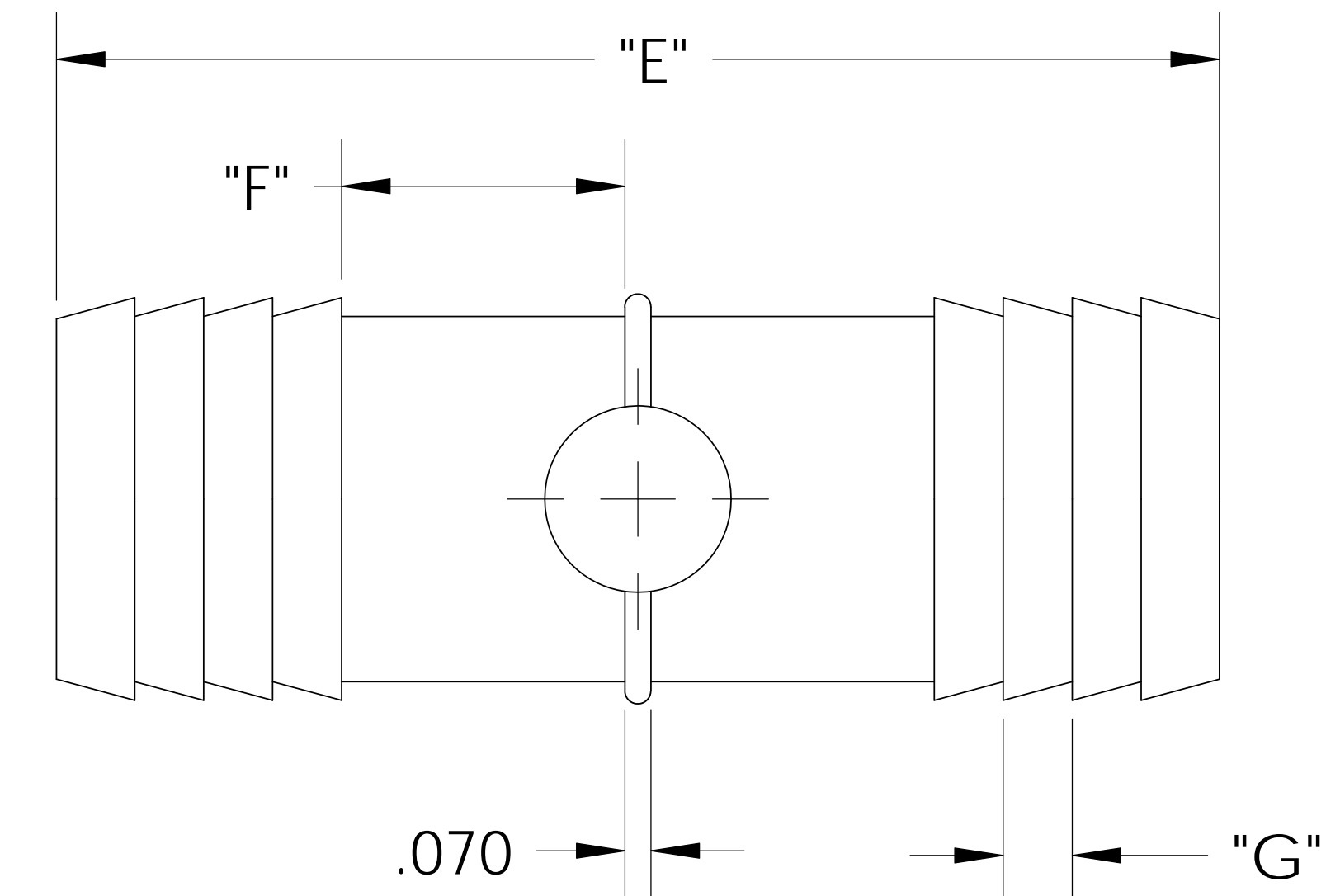
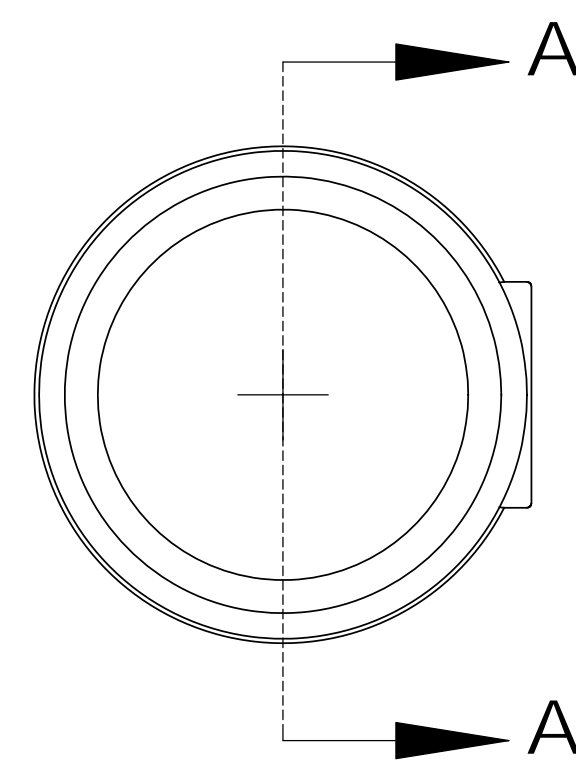


UNCONTROLLED IF PRINTED; CONTROLLED COPY LOCATED IN IQMS DOCUMENT CONTROL



SECTION A-A



CATALOG NO.	DESCRIPTION	MATERIAL	DIM "A"	DIM "B"	DIM "C"	DIM "D"	DIM "E"	DIM "F"	DIM "G"
TC71616/PP	1 X 1 PP	POLYPROPYLENE	1.050	.965	1.090	.810	3.07	.75	.180
TC71616/P	1 X 1 P	POLYETHYLENE	1.045	.970	1.080	.79	3.05	.75	.180
TC71616/N	1 X 1 N	NYLON	1.080	.980	1.100	.820	3.12	.76	.185
TC71616/K	1 X 1 K	KYNAR	1.080	.980	1.100	.820	3.12	.76	.185

SHOWN

D	95.00041	CONVERTED TO 3D FORMAT	UNLESS OTHERWISE SPECIFIED: DIMENSIONS ARE IN INCHES TOLERANCES: ANGULAR: $\pm 0.5^\circ$ X.X = $\pm 0.1$ X.XX = $\pm 0.05$ X.XXX = $\pm 0.015$ REMOVE ALL SHARP EDGES AND BURRS BLEND ALL RADII TO 0.01IN INTERPRET GEOMETRIC TOLERANCING PER: ANSI Y 14.5 1994 MATERIAL: PP, P, N, K FINISH: NA THIRD ANGLE PROJECTION: 	NAME	DATE	Thogus <small>You think it, we can make it...</small> 33490 PIN OAK, AVON LAKE, OH 44012 TITLE: <b>BARB CONNECTOR, 1" X 1"</b>	
				DRAWN	KDJ		10/14/10
				CHECKED	KDJ		10/14/10
				ENG APPR.			XX/XX/XX
				MFG APPR.			XX/XX/XX
			Q.A.		XX/XX/XX		
			COMMENTS:				
REV	WRO#	DESCRIPTION	SIZE	DWG. NO.		REV	
			<b>B</b>	TC71616		<b>D</b>	
HISTORY			SCALE: 1:1	MASS:	SHEET 1 OF 1		

NOTES:

- 1) POLYPROPYLENE HAS COLOR OPTIONS:  
 BLACK = TC71616/PPB  
 NATURAL = TC71616/PPN

**PROPRIETARY AND CONFIDENTIAL**  
 THE INFORMATION CONTAINED IN THIS DRAWING IS THE SOLE PROPERTY OF THOGUS PRODUCTS COMPANY. ANY REPRODUCTION IN PART OR AS A WHOLE WITHOUT THE WRITTEN PERMISSION OF THOGUS PRODUCTS COMPANY IS PROHIBITED.

DO NOT SCALE DRAWING