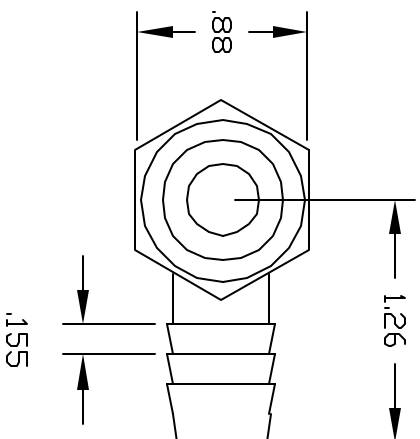
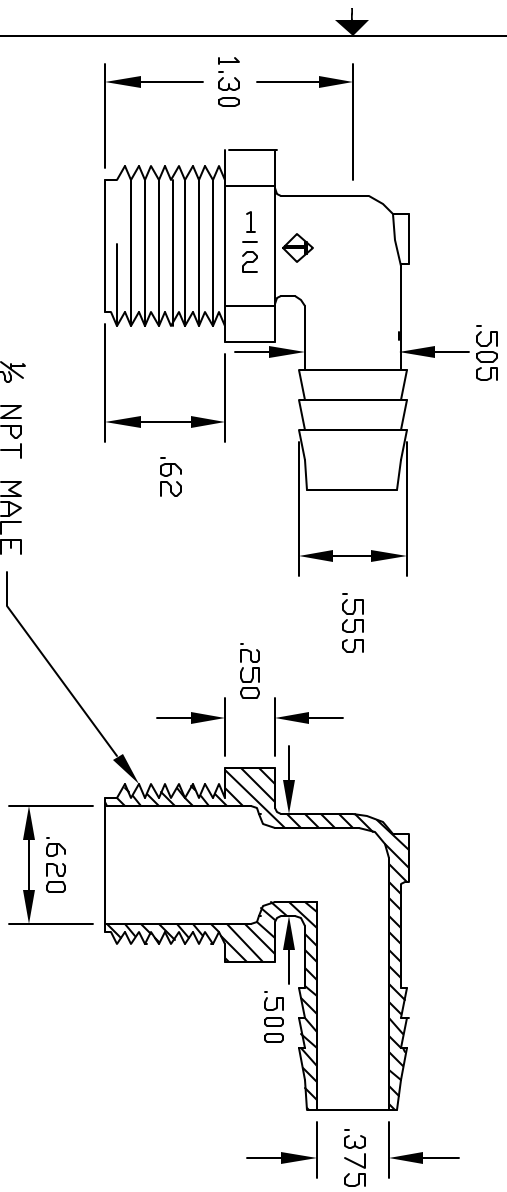


REV	DESCRIPTION	DATE	APPROVED
A	REDRAWN & RELEASED	5/98	5/98
B	LEAD BARB	7/99	7/99
D	UPDATE DWG	9/07	9/07



CONTROLLED DOCUMENT
ONLY IF IN RED

CONFIDENTIAL
THIS PRINT AND THE SPECIFICATIONS ARE THE PROPERTY OF THOGUS PRODUCTS COMPANY AND HAVE BEEN ISSUED WITH THE UNDERSTANDING THAT IT IS TO BE KEPT FOR THE USE OF THE MANUFACTURE FOR OTHERS AND WILL BE RETURNED UPON REQUEST.

UNLESS OTHERWISE SPECIFIED
DIMENSIONS ARE IN INCHES
TOLERANCES
XX .0005
XX .001
XX .0015
XXX .002

DRAWN MS DATE 5/7/98
PART NUMBER 2088N
MATERIAL NYLON

Part Name
1/2NPT X 1/2 BARB ELBOW

THOGUS 33490 PIN DAK PARKWAY
PRODUCTS AYOON LAKE OHIO 44012

Part Number
TE2088/N

SCALE 1:1 SHEET 1 of 1

REV
D