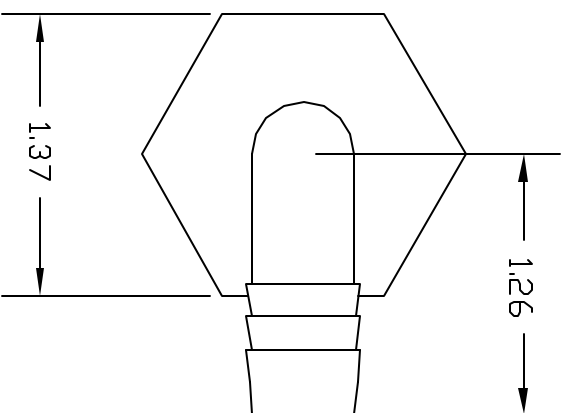
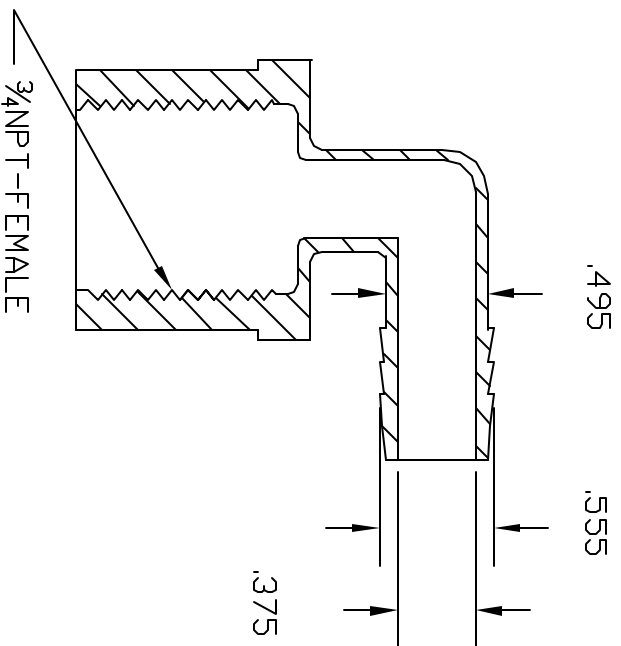
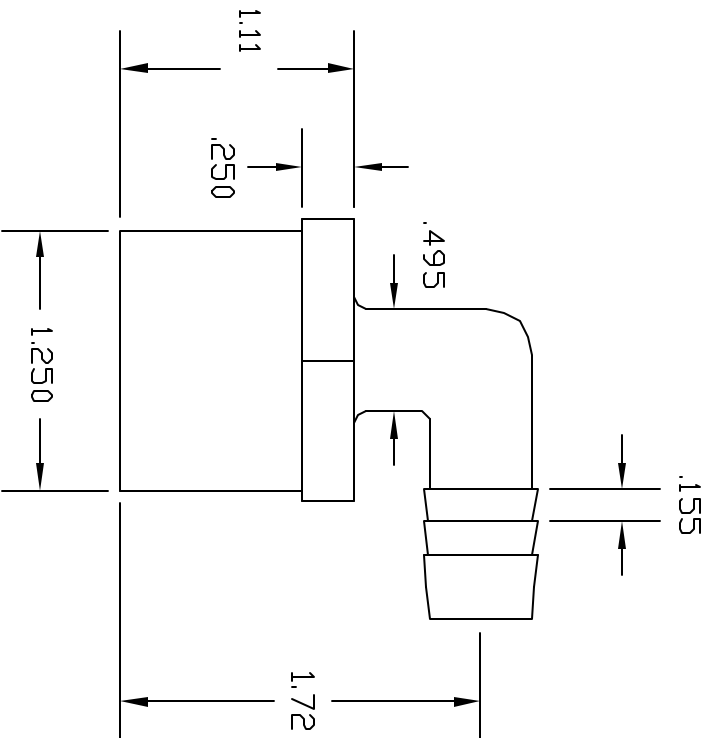


REV	DESCRIPTION	DATE	APPROVED
A	DRAWN	1/30/06	1/30/06
B	UPDATE DWG	9/07	9/07



CONFIDENTIAL
 THIS PRINT AND THE SPECIFICATIONS ARE THE PROPERTY OF THOGUS PRODUCTS COMPANY AND HAVE BEEN ISSUED WITH THE UNDERSTANDING THAT IT WILL NOT BE REPRODUCED, MANUFACTURE FOR OTHERS AND WILL BE RETURNED UPON REQUEST.

UNLESS OTHERWISE SPECIFIED DIMENSIONS ARE IN INCHES
 DECIMALS TOLERANCES
 .XX +/- .05 ANGLAR +/- .05
 .XXX +/- .005
 DRAWN BM DATE X
 THOGUS TEF20128/N
 MATERIAL NYLON

PART NAME: 3/4-14NPT FEMALE X 1/2 BARB FEMALE ELBOW
THOGUS 33490 PIN OAK PARKWAY
 PRODUCTS AVOON LAKE OHIO 44012
 PART NUMBER TEF20128/N
 SCALE 1:1 SHEET 1 OF 1
 REV B

CONTROLLED DOCUMENT
 ONLY IF IN RED