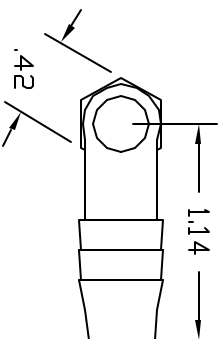
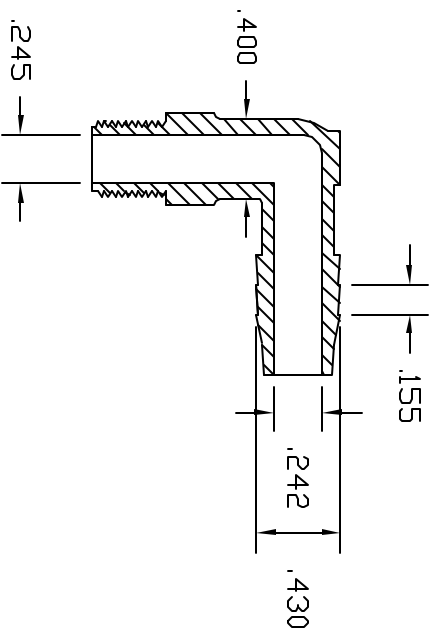
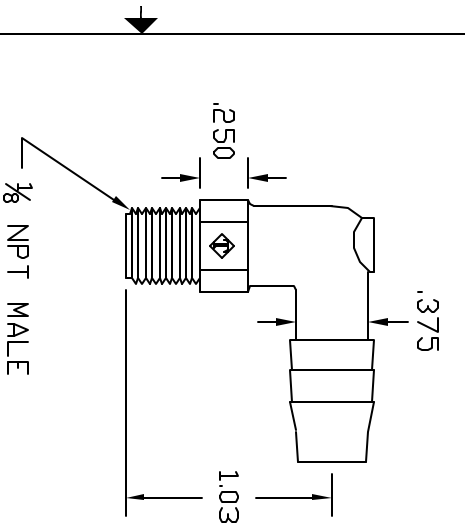


REVISIONS			
REV	DESCRIPTION	DATE	APPROVED
A	REDRAWN & RELEASED	11/97	11/97
B	MODIFY BARB-TEMP	12/02	12/02



CONTROLLED DOCUMENT
ONLY IF IN RED

CONFIDENTIAL
THIS PRINT AND THE SPECIFICATIONS ARE THE PROPERTY OF THOGUS PRODUCTS COMPANY AND HAVE BEEN ISSUED WITH THE UNDERSTANDING THAT REPRODUCTION OF THE INFORMATION REVEALED TO THE USER FOR THE MANUFACTURE FOR OTHERS AND WILL BE RETURNED UPON REQUEST.

UNLESS OTHERWISE SPECIFIED DIMENSIONS ARE IN INCHES	
DECIMAL FRACTIONS	1/16
XX +/- .05	1/4
XXX +/- .015	1/2
DRAWN	NM
DATE	11/97
DESIGNED	2026P
MATERIAL	POLYETHYLENE

Part Number	1/8NPT X 3/8 BARB ELBOW
THOGUS PRODUCTS	33490 PIN DAK PARKWAY AYDON LAKE OHIO 44012
Part Number	TE2026/P
SCALE	1:1
SHEET	1 of 1