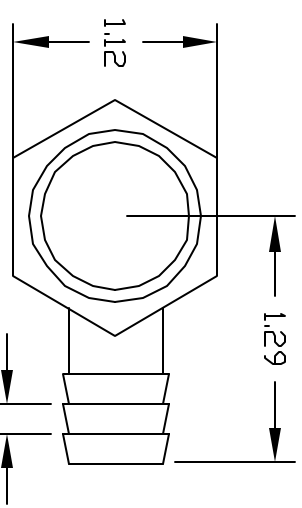
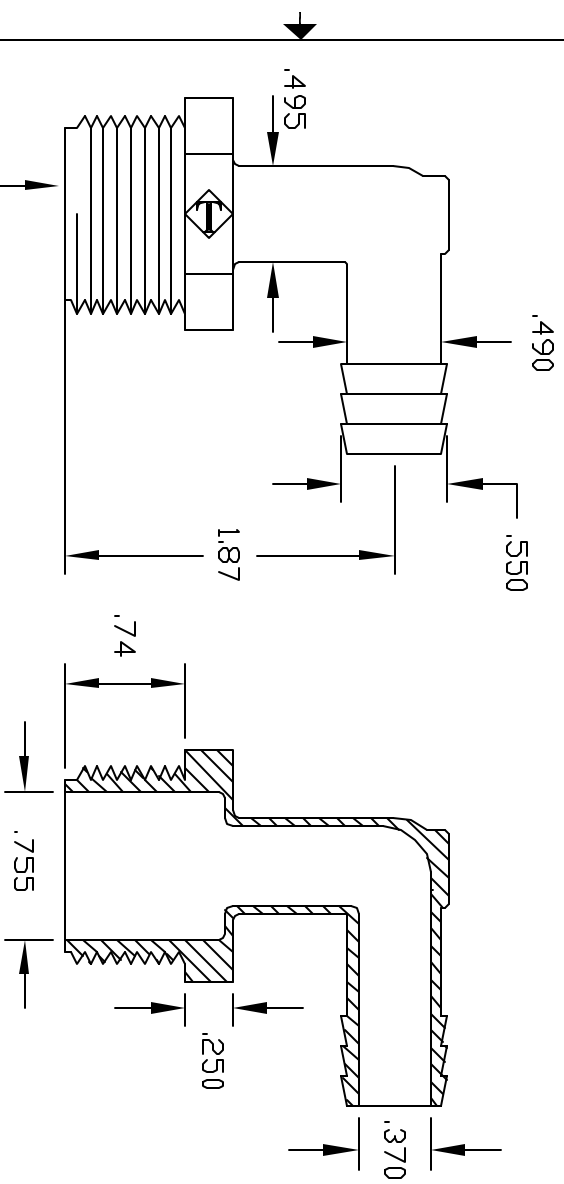


REV	DESCRIPTION	DATE	APPROVED
A	DRAWN & RELEASED	9/97	9/97
B	.395 GATE PAD ADDED	6/98	6/98
C	REMOVED L FROM PART NO.	02/16/00	BM
D	ADD 'L' TO PART NO.	4/19/00	BM



COLOR: BLACK (PPB)
NATURAL (PPN)

CONTROLLED DOCUMENT
ONLY IF IN RED

CONFIDENTIAL
THIS PRINT AND THE SPECIFICATIONS ARE THE PROPERTY OF THOGUS PRODUCTS COMPANY AND HAVE BEEN ISSUED WITH THE UNDERSTANDING THAT IT IS TO BE KEPT FOR THE USE OF THE MANUFACTURE FOR OTHERS AND WILL BE RETURNED UPON REQUEST.

UNLESS OTHERWISE SPECIFIED DIMENSIONS ARE IN INCHES		TOLERANCES	
XXX	+/- .05	XX	+/- .05
XXX	+/- .015	XX	+/- .015
DRAWN	NM	DATE	9/97
MATERIAL	20128LPP	PART NUMBER	TE20128L/PP
POLYPROPYLENE		SCALE	1:1
PART NAME		3/4 NPT X 1/2 BARB ELBOW	
THOGUS PRODUCTS		33597 PIN DAK PARKWAY AVON LAKE OHIO 44012	
REV	D	SHEET	1 of 1