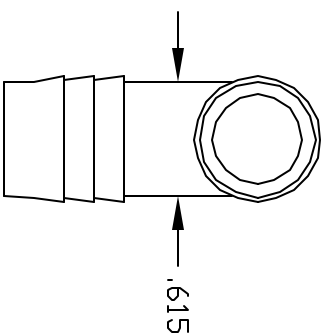
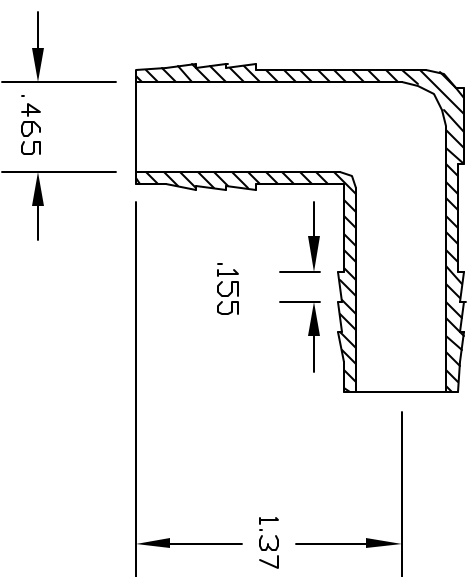
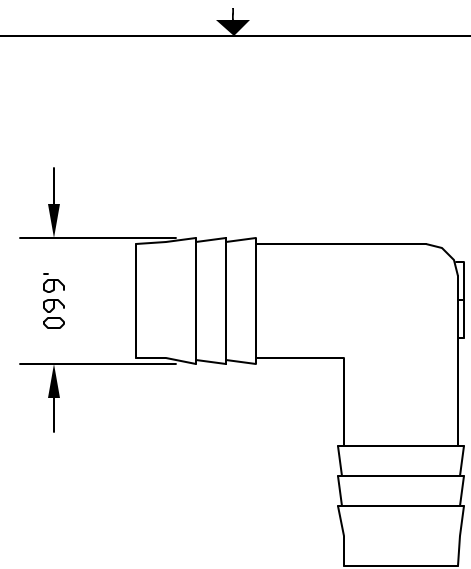


RENSKINS

REV	DESCRIPTION	DATE	APPROVED
A	REDRAWN & RELEASED	2/98	2/98
B	UPDATE DWG	9/00	9/00
C	REVISE BARBS LENGTHEN	06/01	06/01
D	.615 WAS .620	06/01	BM
E	UPDATE DWG	9/07	9/07



CONTROLLED DOCUMENT
ONLY IF IN RED

CONFIDENTIAL
THIS PRINT AND THE SPECIFICATIONS ARE THE PROPERTY OF THOGUS PRODUCTS COMPANY AND HAVE BEEN ISSUED WITH THE UNDERSTANDING THAT IT IS TO BE USED FOR THE MANUFACTURE OF THIS PART ONLY AND WILL BE RETURNED UPON REQUEST.

UNLESS OTHERWISE SPECIFIED DIMENSIONS ARE IN INCHES
TOLERANCES
XX +/- .05
XXX +/- .015
DRAWN BM
MATERIAL NYLON

Part Name: 5/8 BARB X 5/8 BARB ELBOW
Part Number: TE201010-T/N
SCALE: 1/1
SHEET 1 of 1
REV E
THOGUS PRODUCTS 33490 PIN OAK PARKWAY
AVON LAKE OHIO 44012

THOGUS PRODUCTS COMPANY
33490 PIN OAK PARKWAY
AVON LAKE, OHIO 44012
TEL: 440-933-3300
FAX: 440-933-3301
WWW.THOGUS.COM