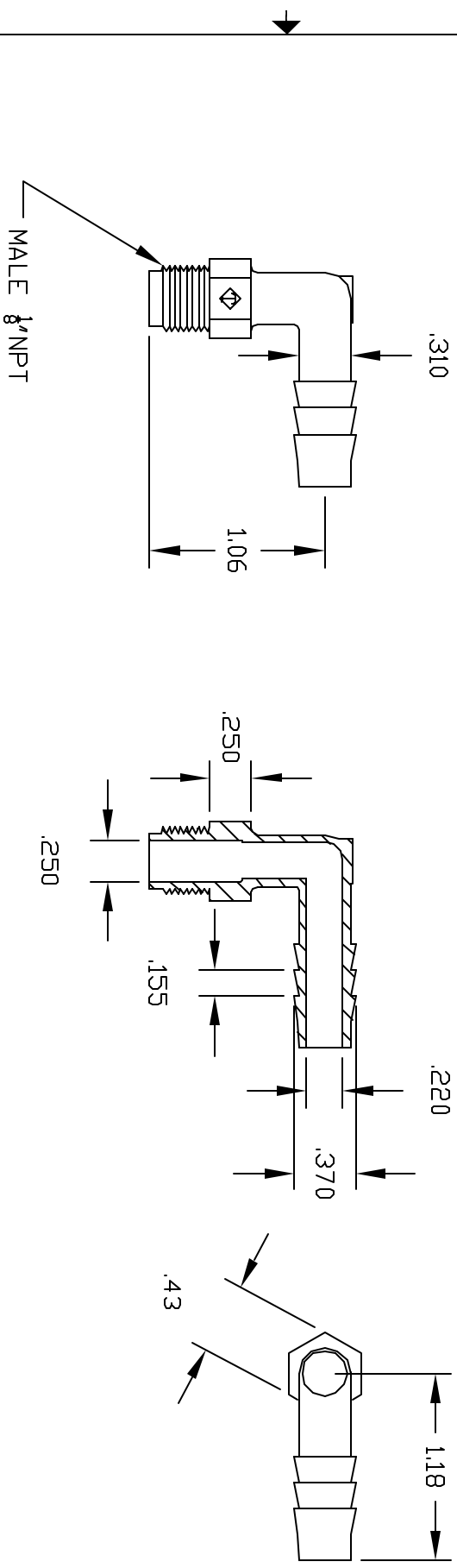


| REVISIONS | | | | |
|-----------|-----|-------------------------------------|--------|----------|
| ZONE | REV | DESCRIPTION | DATE | APPROVED |
| | A | REDRAWN & RELEASED | 11/97 | 11/97 |
| | B | UPDATE DWG. WITH NEW THREAD TOOLING | 5/8/00 | BM |
| | C | MODIFY BARB | 9/03 | |



CONTROLLED DOCUMENT
ONLY IF IN RED

CONDONANTIAL
THIS PRINT AND THE SPECIFICATIONS ARE THE PROPERTY OF THOGUS PRODUCTS COMPANY AND HAVE BEEN ISSUED WITH THE UNDERSTANDING THAT ALL RIGHTS ARE RESERVED. THE REPRODUCTION OR TRANSMISSION OF THIS INFORMATION TO ANY OTHER PARTY WITHOUT THE WRITTEN PERMISSION OF THOGUS PRODUCTS COMPANY IS STRICTLY PROHIBITED. THIS DOCUMENT IS THE PROPERTY OF THOGUS PRODUCTS COMPANY AND WILL BE RETURNED UPON REQUEST.

| | | | | | |
|---|-----------------------------|---|--|------|--|
| UNLESS OTHERWISE SPECIFIED DIMENSIONS ARE IN INCHES | | DRAWN | | DATE | |
| 1/8 NPT X 5/16 BARBED ELBOW | NM | 11/97 | | | |
| REVISIONS | 1/8 NPT X 5/16 BARBED ELBOW | | | | |
| XX +/- .05 | 1/8 NPT X 5/16 BARBED ELBOW | | | | |
| XXX +/- .015 | 1/8 NPT X 5/16 BARBED ELBOW | | | | |
| MATERIAL | NYLON | | | | |
| Part NUMBER | TE2025/N | | | | |
| Scale | 1:1 | | | | |
| SHEET | 1 | of 1 | | | |
| THOGUS PRODUCTS | | 33490 PIN DAK PARKWAY AVON LAKE OHIO 44012 | | | |