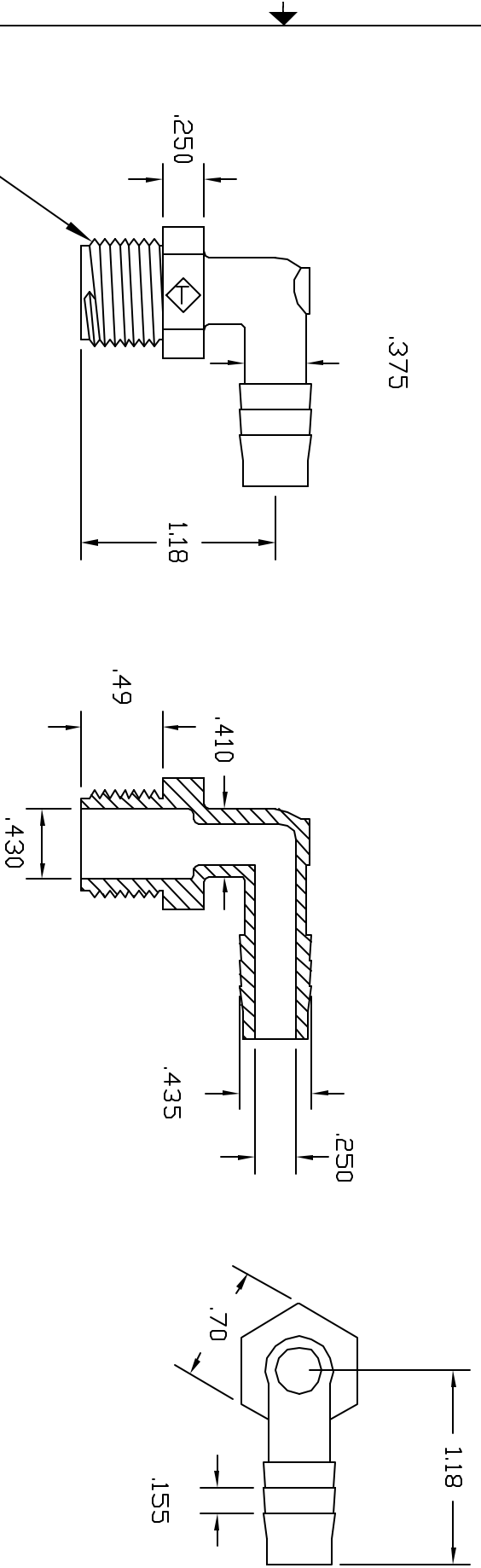


REVISIONS			
REV	DESCRIPTION	DATE	APPROVED
A	REDRAWN & RELEASED	5/98	5/98
B	MODIFY BARBS	12/02	12/02



CONTROLLED DOCUMENT
ONLY IF IN RED

THIS PRINT AND THE SPECIFICATIONS ARE THE PROPERTY OF THOGUS PRODUCTS COMPANY AND HAVE BEEN ISSUED WITH THE UNDERSTANDING THAT THE USER SHALL BE RESPONSIBLE FOR THE MANUFACTURE FOR OTHERS AND WILL BE RETURNED UPON REQUEST.

UNLESS OTHERWISE SPECIFIED DIMENSIONS ARE IN INCHES		Part Name:	
DECIMAL FRACTIONS XX +/- .05	FRACTIONS XX +/- .015	3/8NPT X 3/8 BARB EL.BOW	
DRAWN NM	DATE 8/98	Part Number:	
2066N		TE2066/N	
MATERIAL NYLON	SCALE 1:1	SHEET 1	of 1
THOGUS PRODUCTS		33490 PIN DAK PARKWAY AYDON LAKE OHIO 44012	
REV		REV	
B		B	