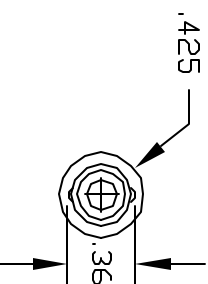
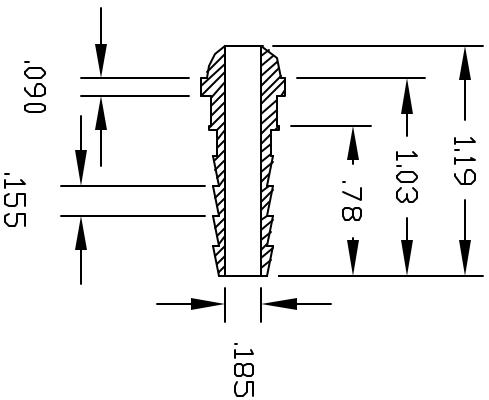
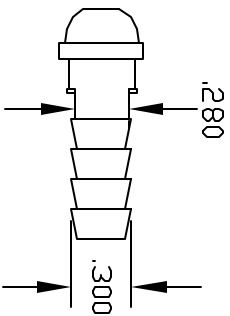
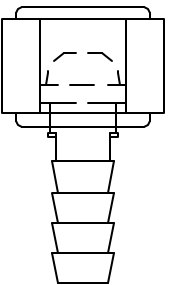


REVISIONS			
REV	DESCRIPTION	DATE	APPROVED
A	REDRAWN & RELEASED	7/97	7/97
B	UPDATE DWG	9/07	9/07



TO MATE WITH THOGUS PRODUCTS  
PART NUMBER SN-4, 1/4" NPT FEMALE NUT



CONTROLLED DOCUMENT  
ONLY IF IN RED

**CONFIDENTIAL**  
THIS PRINT AND THE SPECIFICATIONS ARE THE PROPERTY OF THOGUS PRODUCTS COMPANY AND HAVE BEEN LENT WITH THE UNDERSTANDING THAT IT IS TO BE KEPT FOR THE MANUFACTURE FOR OTHERS AND WILL BE RETURNED UPON REQUEST.

UNLESS OTHERWISE SPECIFIED DIMENSIONS ARE IN INCHES		Part Name:	
TOLERANCES	FINISH	1/4 BARB SWIVEL NUT ADAPTER INSERT	
XX +/- .05	XX	THOGUS PRODUCTS 33490 PIN DAK PARKWAY	
XXX +/- .015	XXX	AVON LAKE OHIO 44012	
XXXX +/- .015	XXXX		
DRAWN	DATE	Part Number	REV
NM	7/97	SN44/PPB	B
MATERIAL	FINISH		
POLYPROPYLENE BLACK	SNAPPB		
SHEET 1		OF 1	