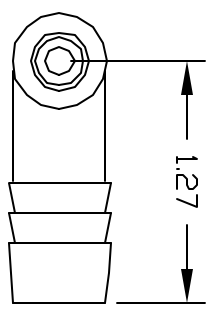
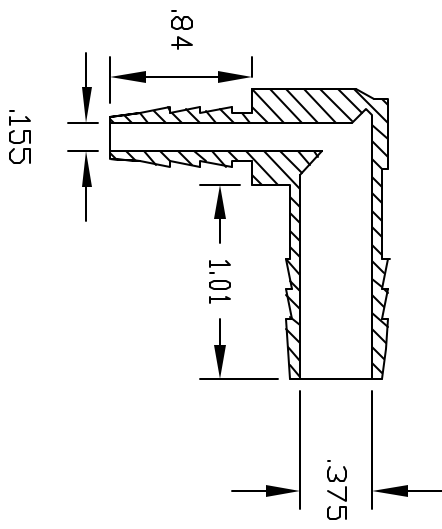
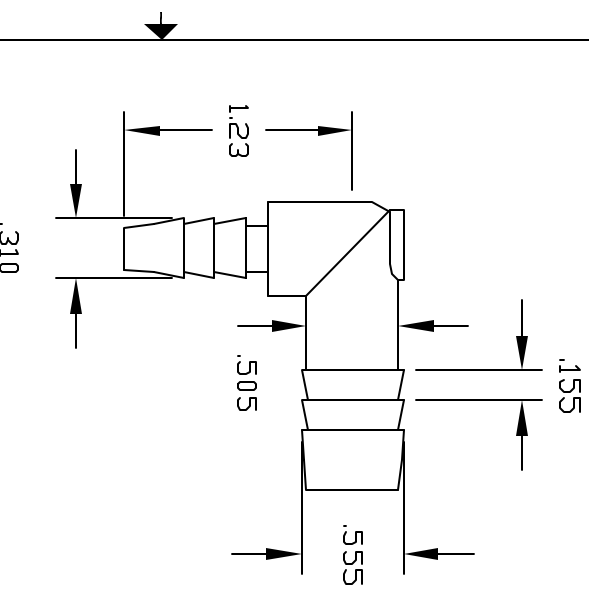


REVISIONS			
REV	DESCRIPTION	DATE	APPROVED
A	REDRAWN & RELEASED	1/98	1/98
B	MODIFIED 1/2" BARB	5/3/00	BM
C	UPDATE DWG	9/07	9/07



UNLESS OTHERWISE SPECIFIED
DIMENSIONS ARE IN INCHES
TOLERANCES UNLESS SHOWN
XX +/- .05
XXX +/- .015

THIS PRINT AND THE SPECIFICATIONS
ARE THE PROPERTY OF THOGUS
PRODUCTS COMPANY AND HAVE BEEN
ISSUED WITH THE UNDERSTANDING THAT
THE USER SHALL BE RESPONSIBLE FOR
REVEALING TO THE USER FOR THE
MANUFACTURE FOR OTHERS AND WILL
BE RETURNED UPON REQUEST.

CONDOMINIUM
DRAWN BY BM DATE 5/00
FIELD NO. 2084-TN
MATERIAL NYLON

Point Name
1/2 BARB X 1/4 BARB ELBOW

THOGUS PRODUCTS
33490 PIN OAK PARKWAY
AVON LAKE OHIO 44012

Point Number
TE2084-T/N

SHEET 1 of 1

REV C

CONTROLLED DOCUMENT
ONLY IF IN RED